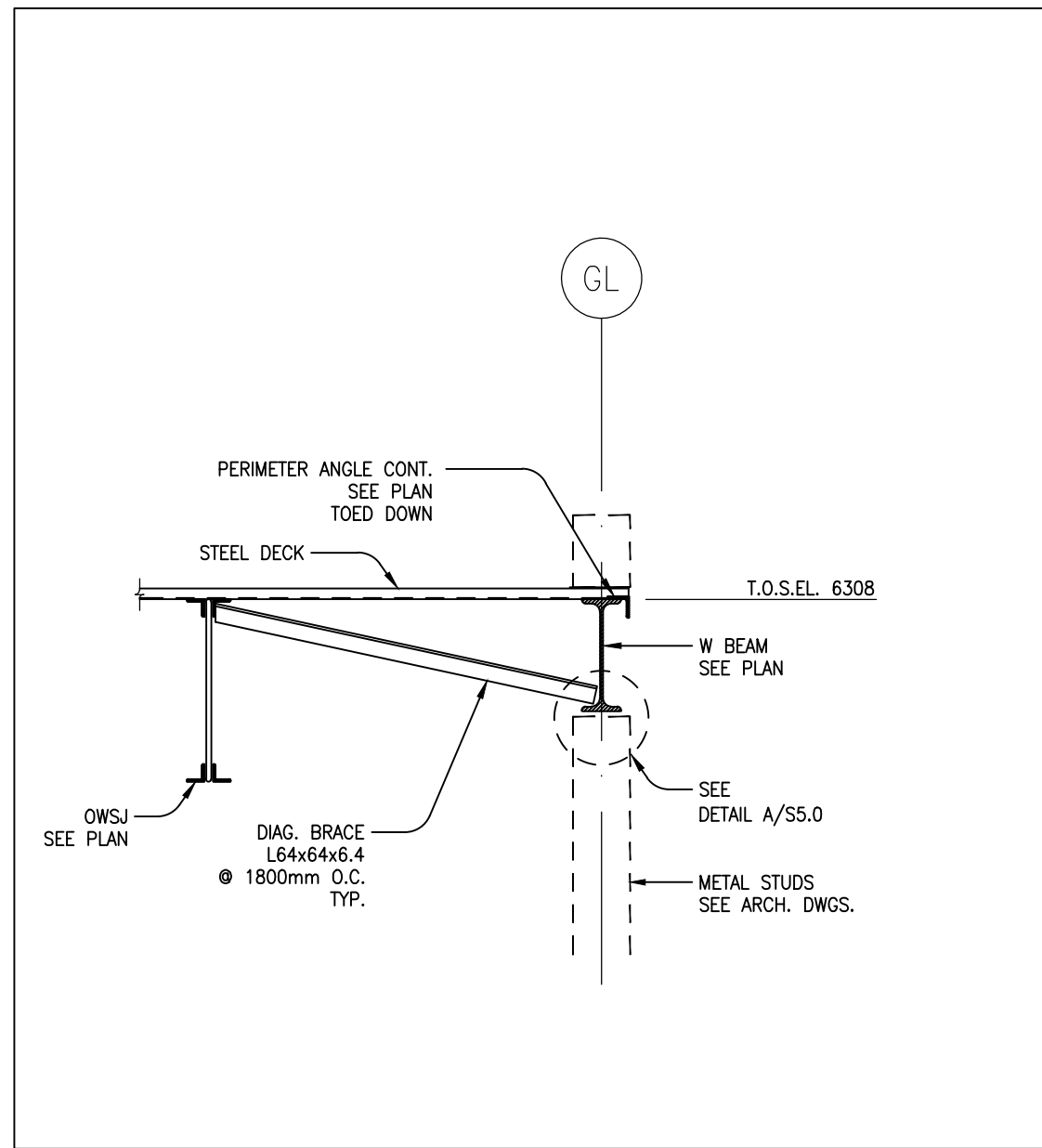
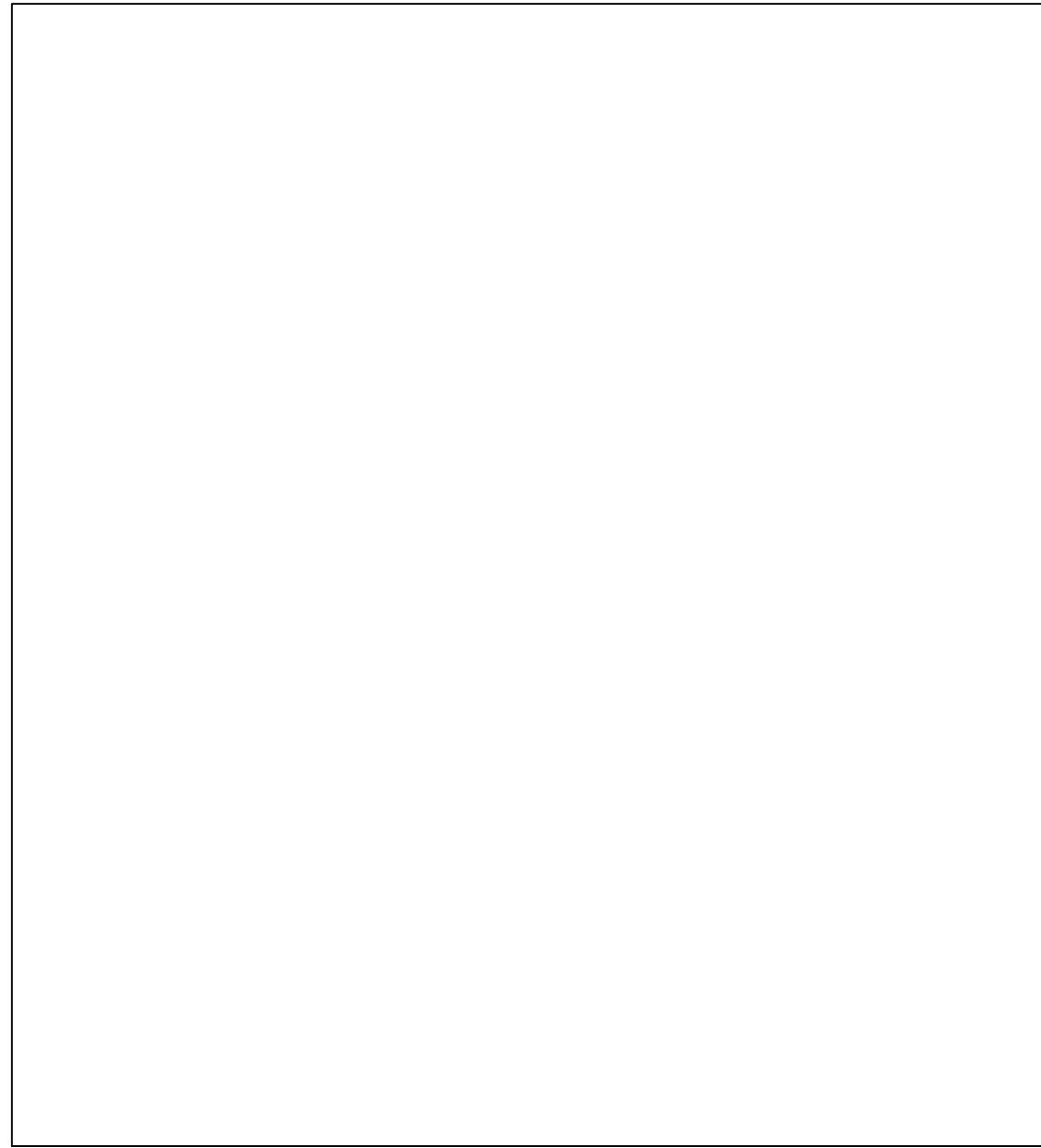
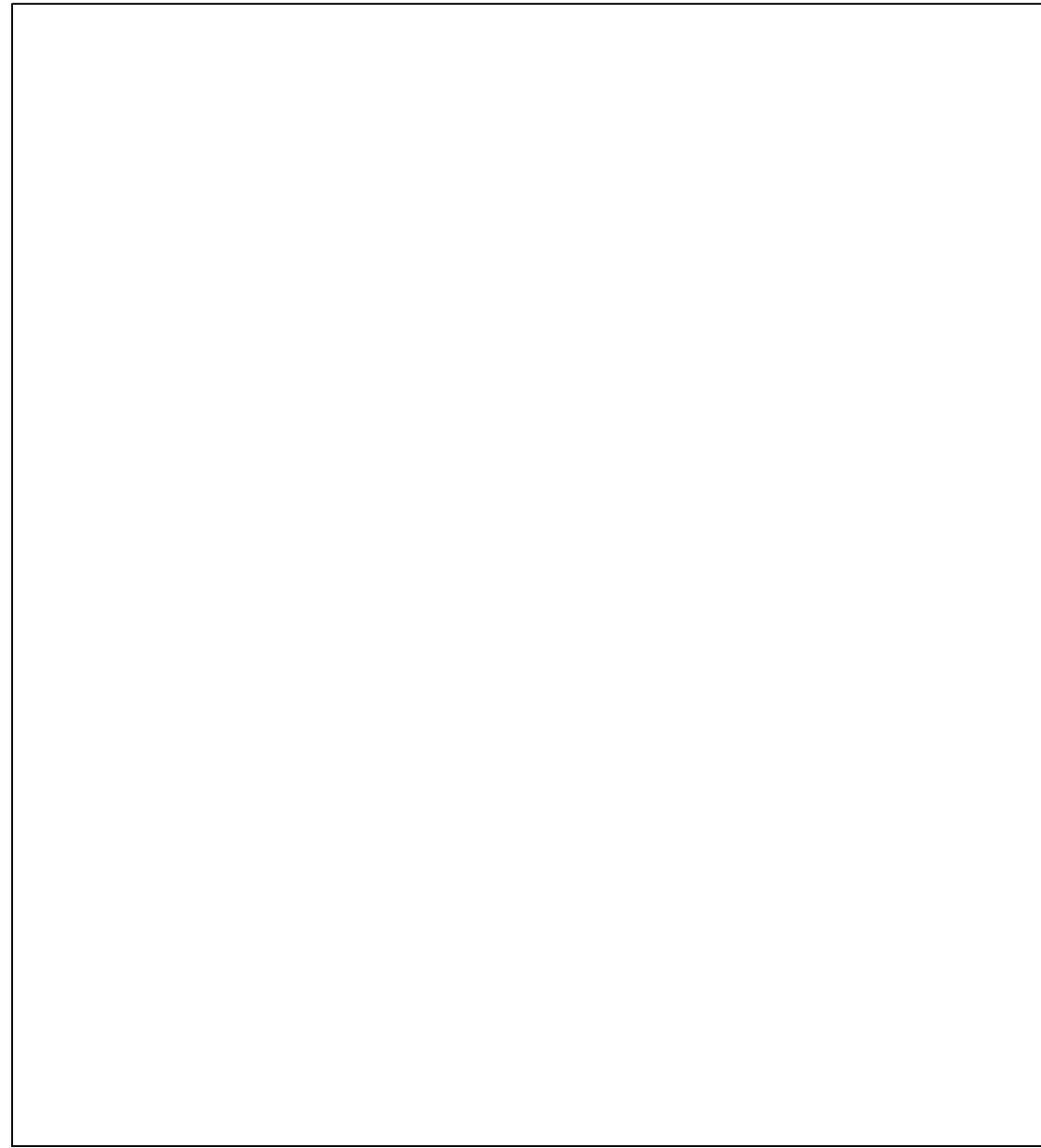
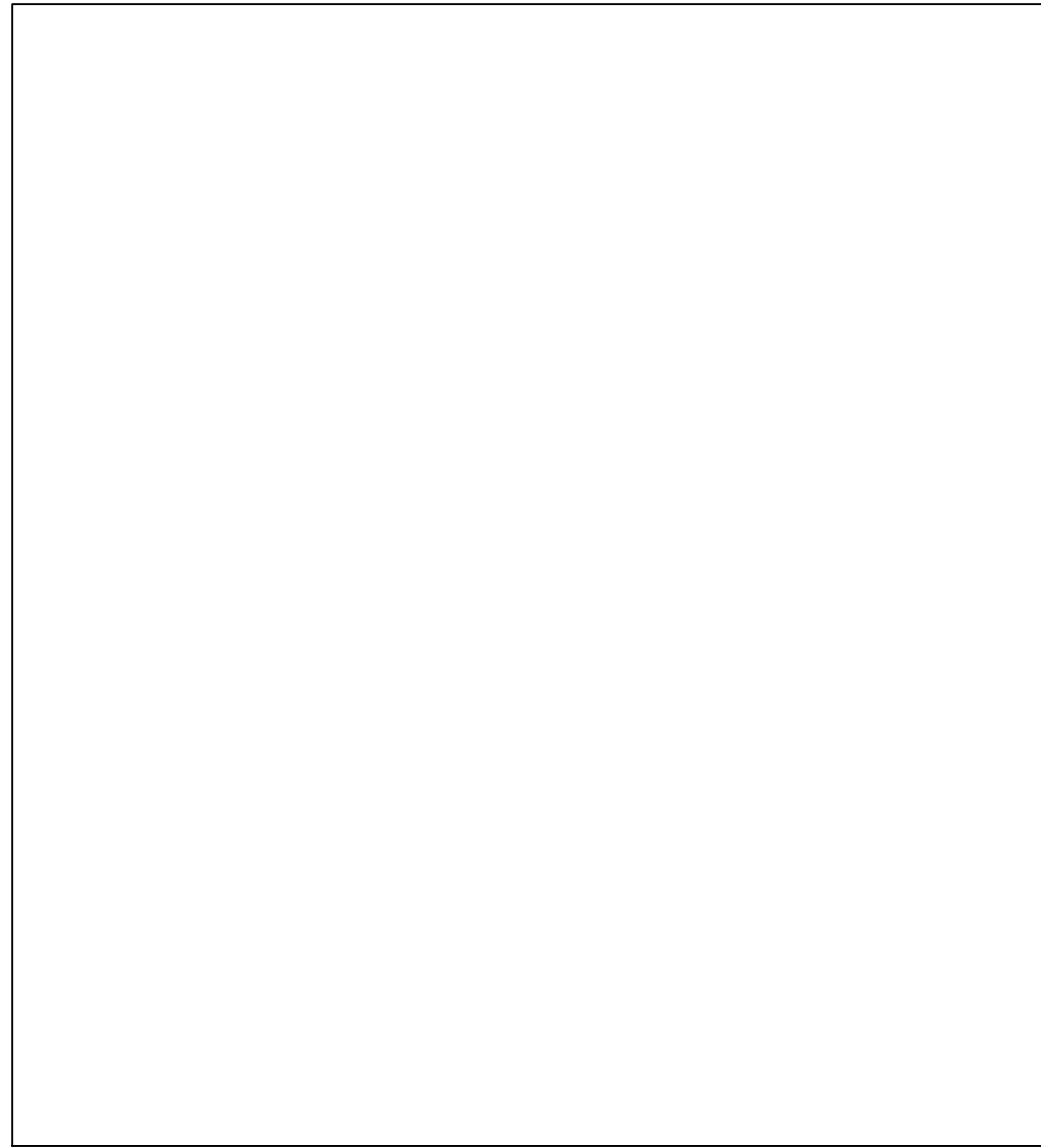


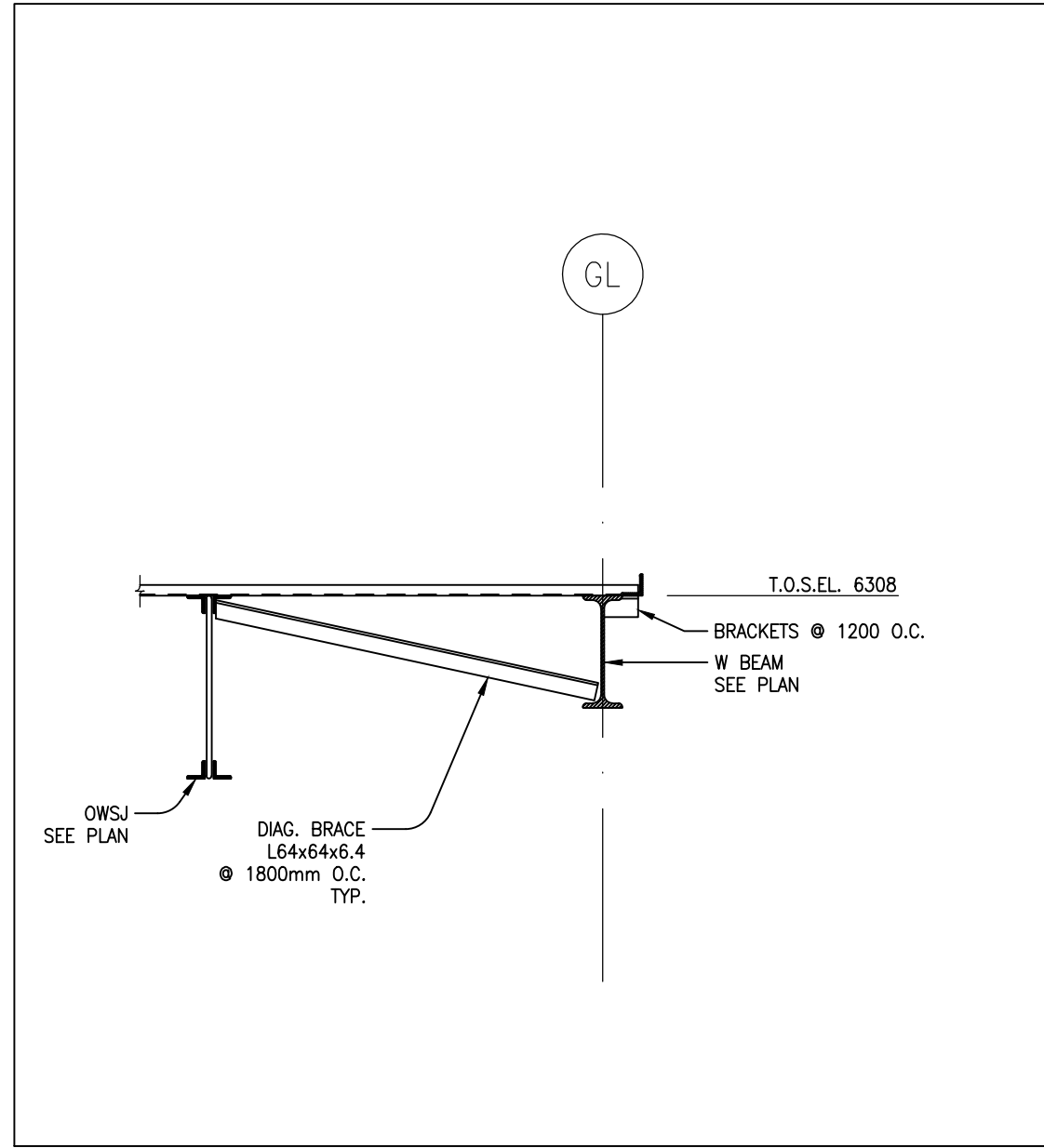
6
S5.0
ELEVATION DETAIL
SCALE 1:25



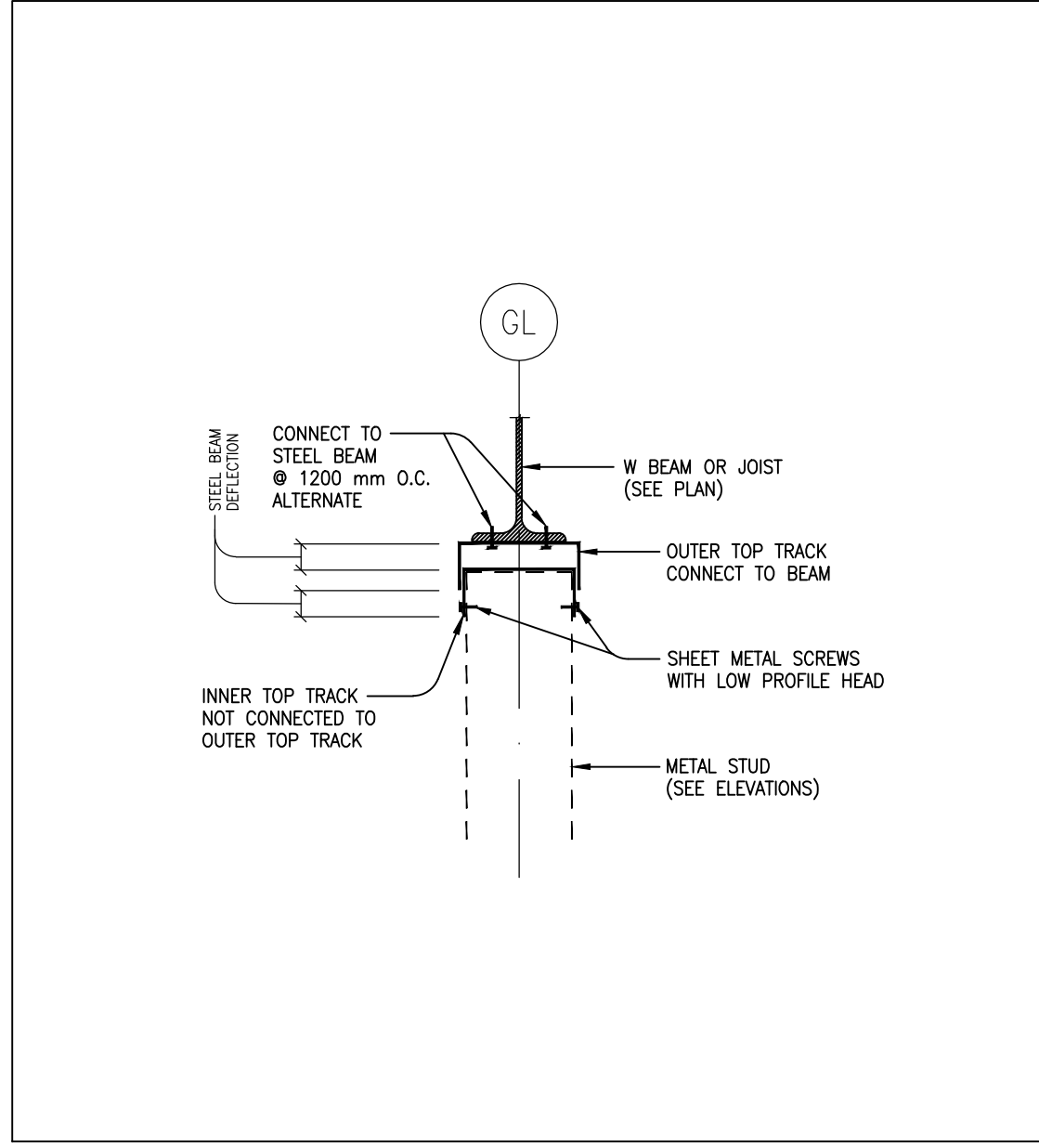
3
S5.0
SECTION
SCALE 1:25



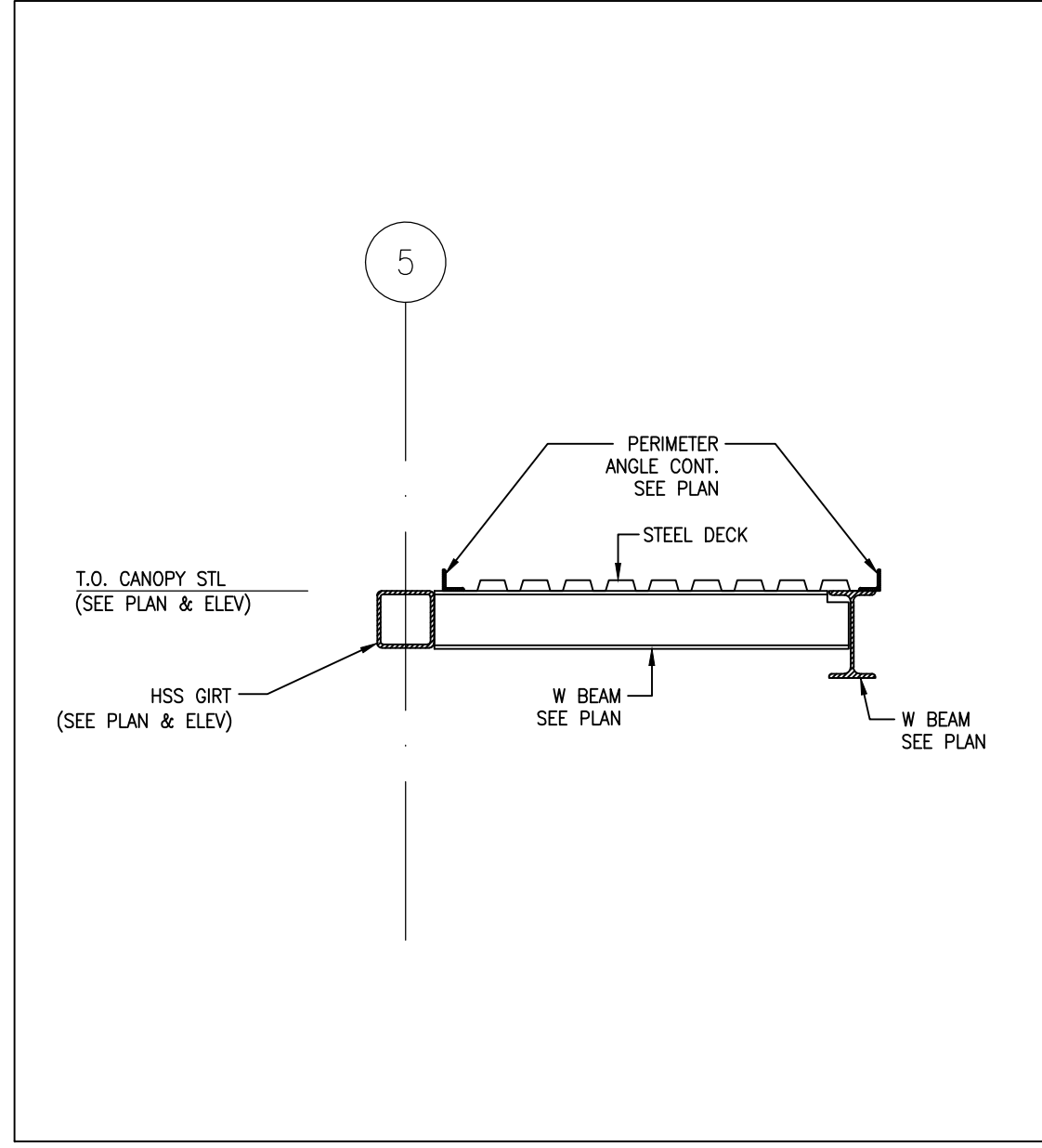
5
S5.0
SECTION
SCALE 1:25



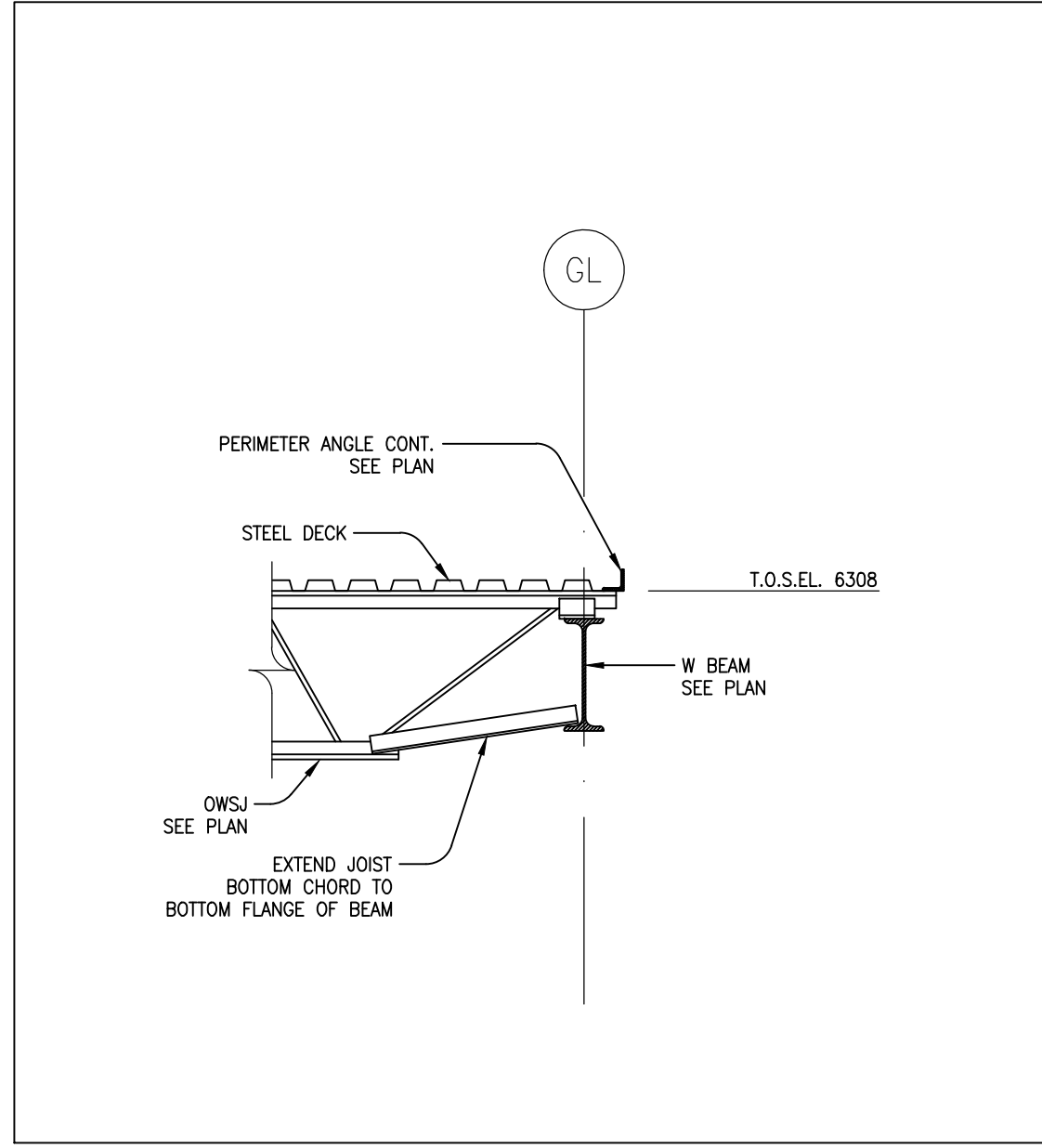
2
S5.0
SECTION
SCALE 1:25



A
S5.0
SECTION
SCALE 1:25



4
S5.0
SECTION
SCALE 1:25



1
S5.0
SECTION
SCALE 1:25

REV	DESCRIPTION	DATE	BY
ES	ISSUED FOR CONSTRUCTION	02.23.16	ES
ES	ISSUED FOR BUILDING PERMIT	07.28.15	ES
ES	ISSUED FOR CONSTRUCTION	03.02.16	ES

THE CONTRACTOR SHALL CHECK AND VERIFY ALL DIMENSIONS AND REPORT ALL ERRORS AND OMISSIONS TO THE ENGINEER. ALL DRAWINGS, SPECIFICATIONS AND RELATED DOCUMENTS ARE THE COPYRIGHT PROPERTY OF DORLAN ENGINEERING CONSULTANTS INC. AND MAY NOT BE REPRODUCED WITHOUT WRITTEN PERMISSION OF DORLAN ENGINEERING CONSULTANTS INC. DRAWINGS SHALL NOT BE SCALED AND THIS DRAWING SHALL NOT BE USED FOR CONSTRUCTION PURPOSES UNTIL ISSUED FOR CONSTRUCTION AND SEALED BY DORLAN ENGINEERING CONSULTANTS INC.



NEW WAREHOUSE AT:
190 INDUSTRIAL PARKWAY SOUTH
AURORA, ONTARIO

DORLAN
ENGINEERING CONSULTANTS INC.
7560 AIRPORT ROAD - UNIT 13
MISSISSAUGA, ONTARIO
L4T 4H4 CANADA
Tel (905)671-4377 Fax (905)671-4381

DRAWING CONTENT:
STEEL SECTIONS

DATE	JUNE, 2015
DRAWN BY	ES
CHECKED BY	DM
SCALE	1:25 U/N
PROJECT No.	D15067
DRAWING No.	S5.0