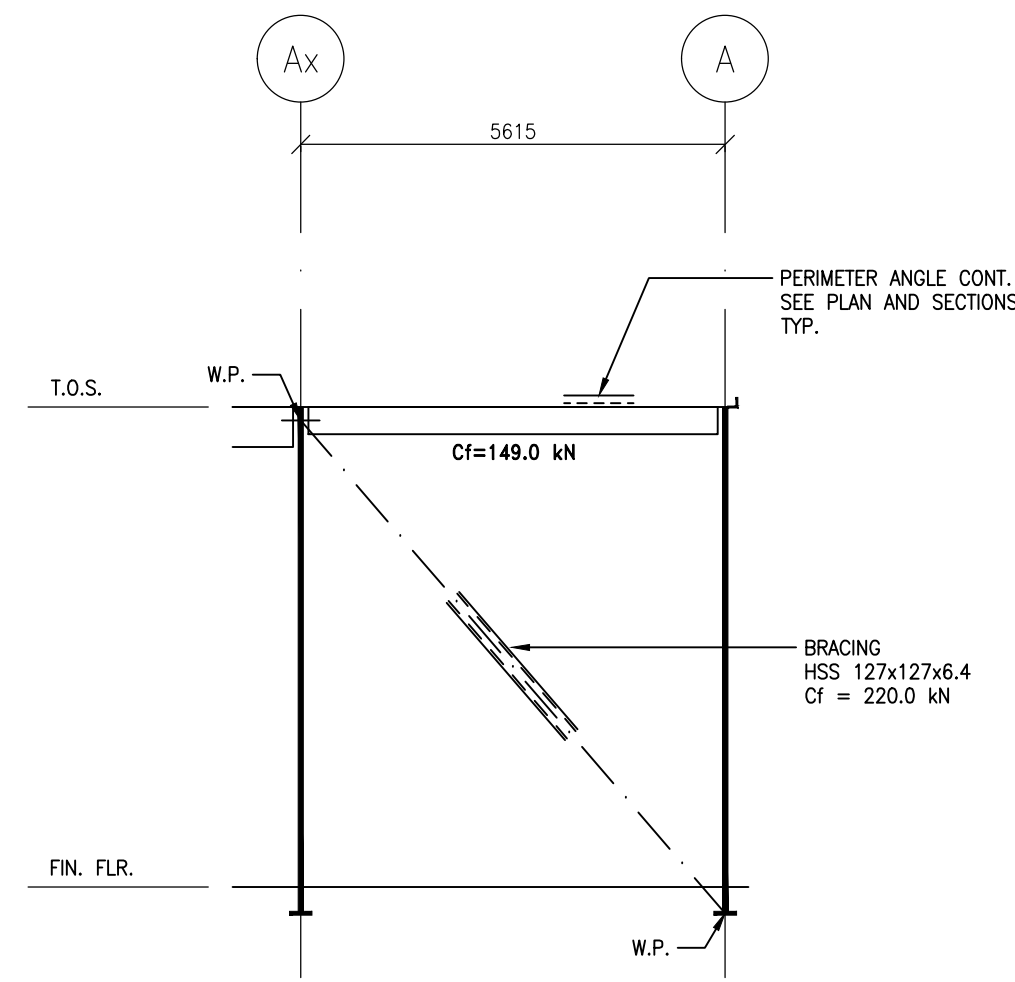
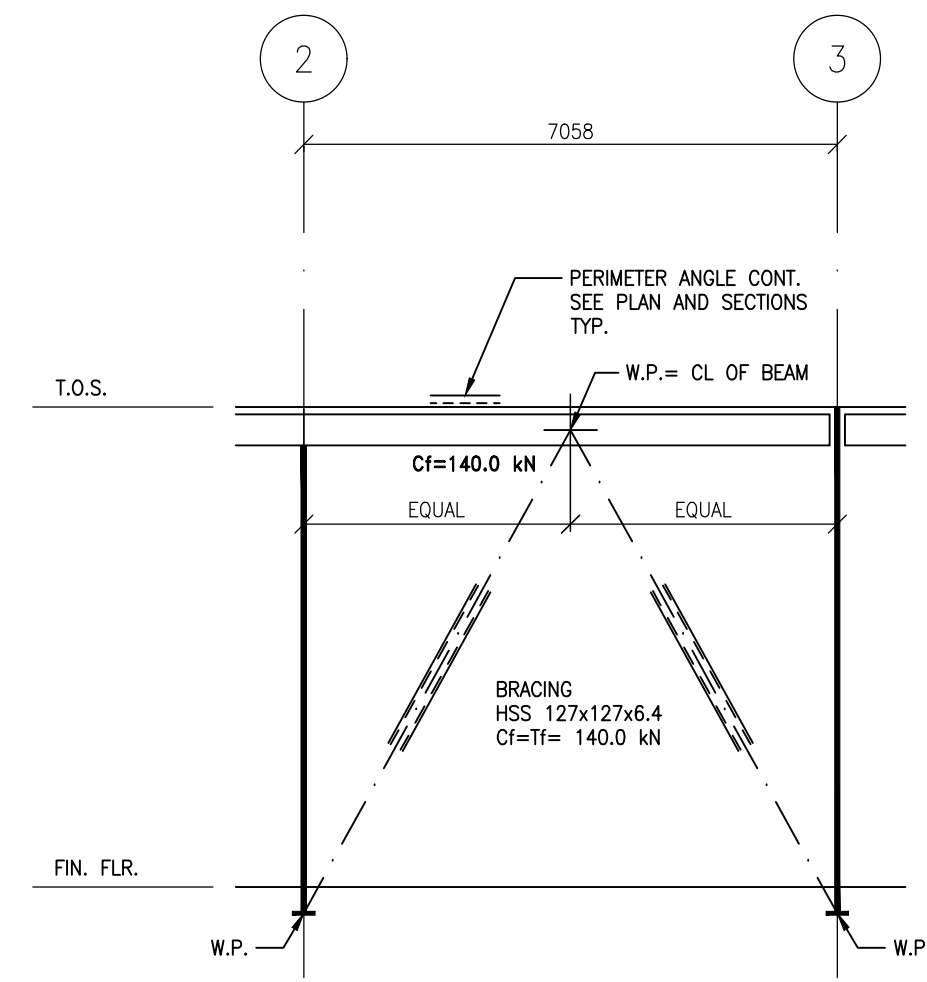


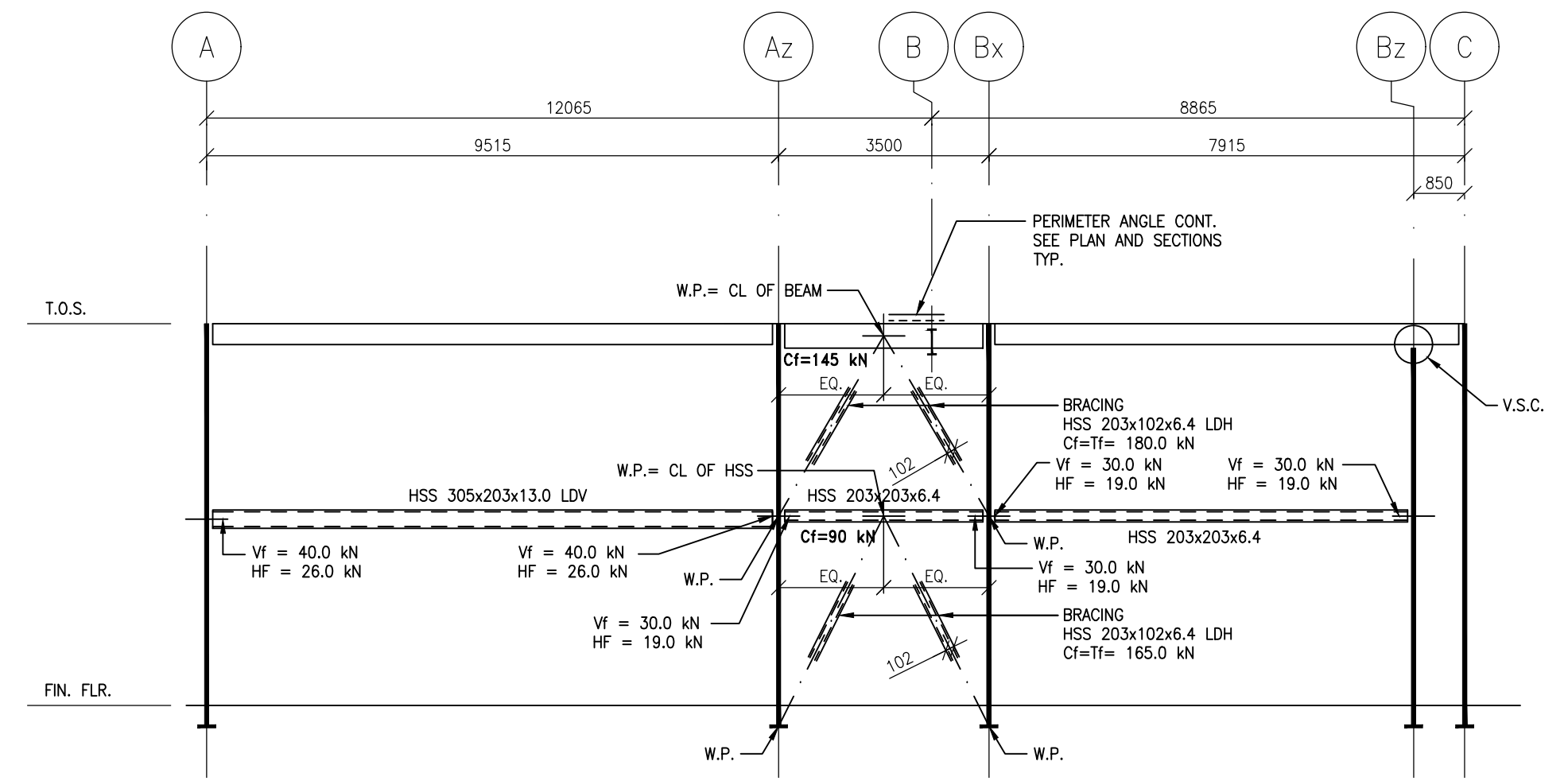
1 SOUTH ELEVATION ALONG LINE '1'
S4.0 SCALE 1:100



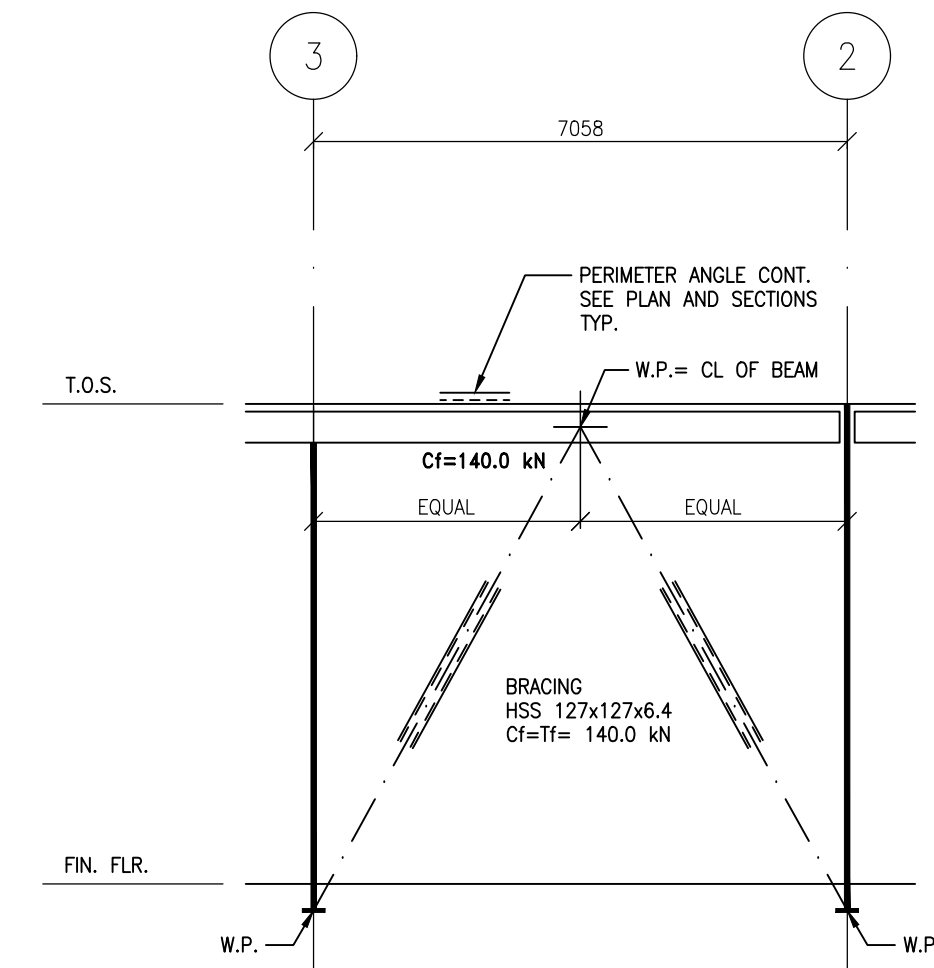
2 SOUTH ELEVATION ALONG LINE '1'
S4.0 SCALE 1:100



3 EAST ELEVATION ALONG LINE 'A'
S4.0 SCALE 1:100



4 NORTH ELEVATION ALONG LINE '5'
S4.0 SCALE 1:100



5 WEST ELEVATION ALONG LINE 'C'
S4.0 SCALE 1:100

| REV | DESCRIPTION | DATE | BY |
|-----|----------------------------|----------|----|
| ES | ISSUED FOR BUILDING PERMIT | 07.28.15 | |

THE CONTRACTOR SHALL CHECK AND VERIFY ALL DIMENSIONS AND REPORT ALL ERRORS AND OMISSIONS TO THE ENGINEER. ALL DRAWINGS, SPECIFICATIONS AND RELATED DOCUMENTS ARE THE COPYRIGHT PROPERTY OF DORLAN ENGINEERING CONSULTANTS INC. AND MAY NOT BE REPRODUCED WITHOUT WRITTEN PERMISSION OF DORLAN ENGINEERING CONSULTANTS INC. DRAWINGS SHALL NOT BE SCALED AND THIS DRAWING SHALL NOT BE USED FOR CONSTRUCTION PURPOSES UNTIL ISSUED FOR CONSTRUCTION AND SEALED BY DORLAN ENGINEERING CONSULTANTS INC.



NEW WAREHOUSE AT:
200 INDUSTRIAL PARKWAY SOUTH
ONTARIO
AURORA,

DORLAN
ENGINEERING CONSULTANTS INC.
7560 AIRPORT ROAD - UNIT 13
MISSISSAUGA, ONTARIO L4T 4R4 CANADA
Tel (905)671-4377 Fax (905)671-4381

DRAWING CONTENT:
ELEVATIONS

| | |
|-------------|-------------|
| DATE | JUNE, 2015 |
| DRAWN BY | ES |
| CHECKED BY | DM |
| SCALE | 1:100 U/N |
| PROJECT No. | D15067 |
| DRAWING No. | S4.0 |