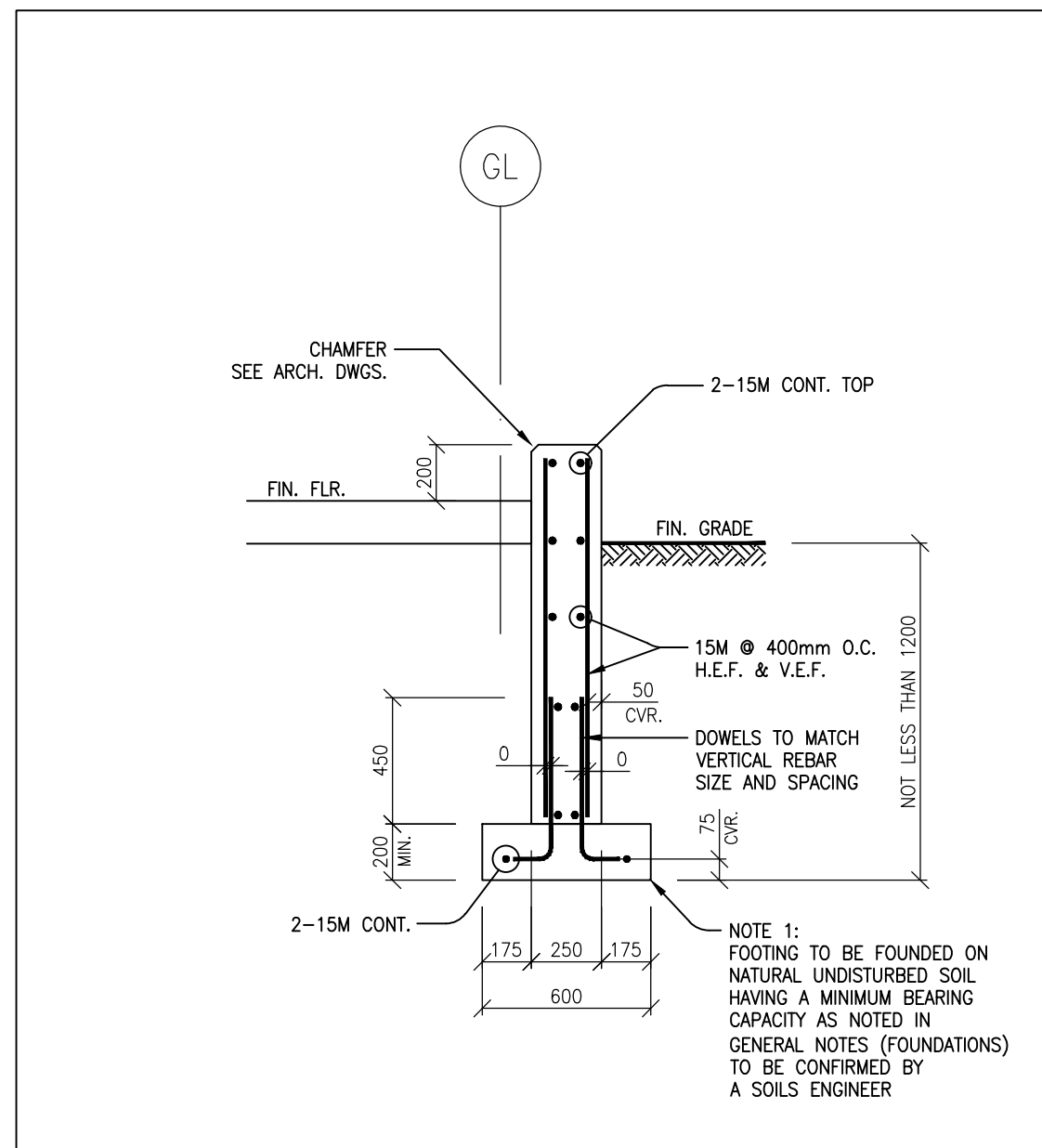
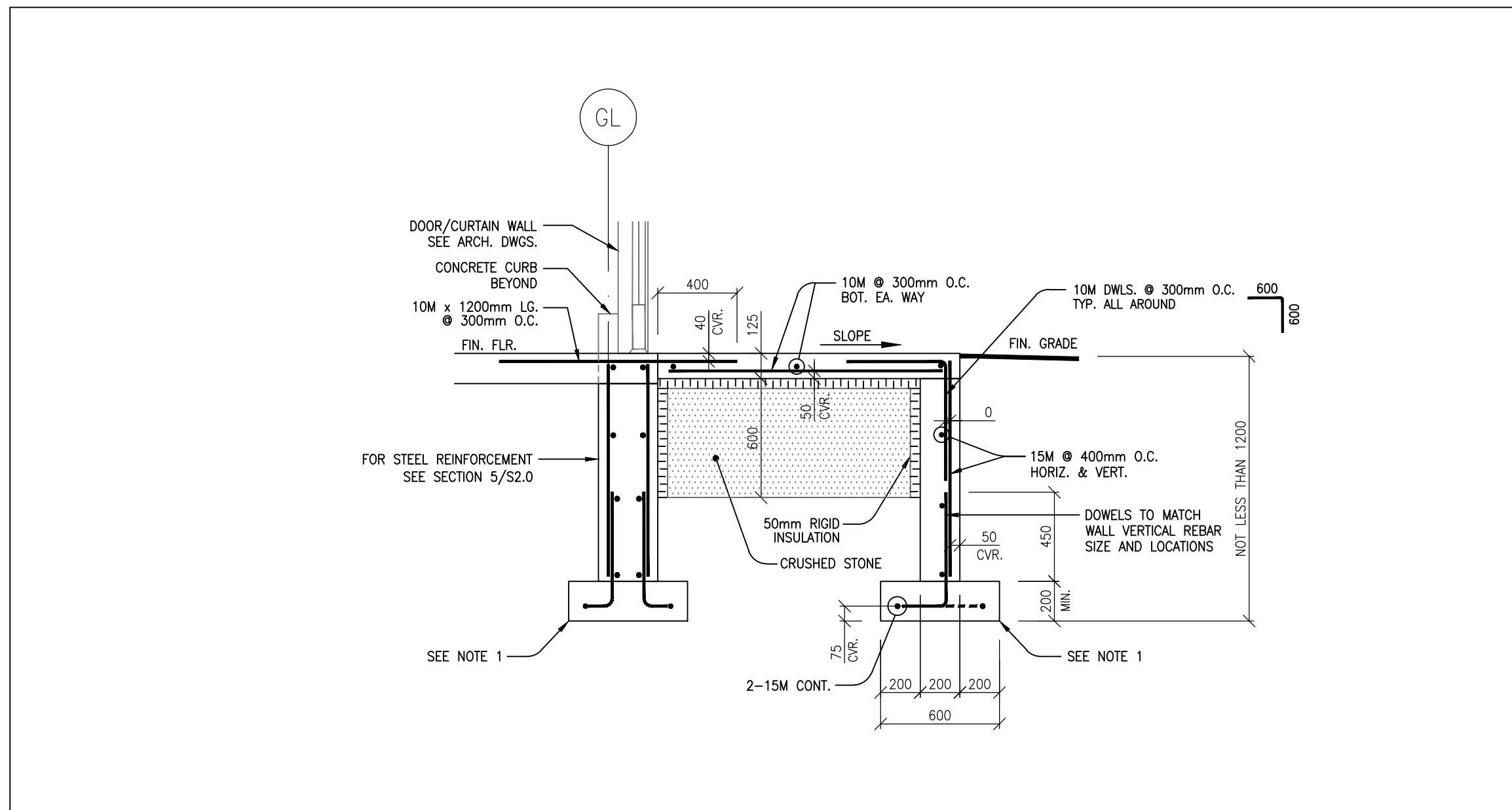
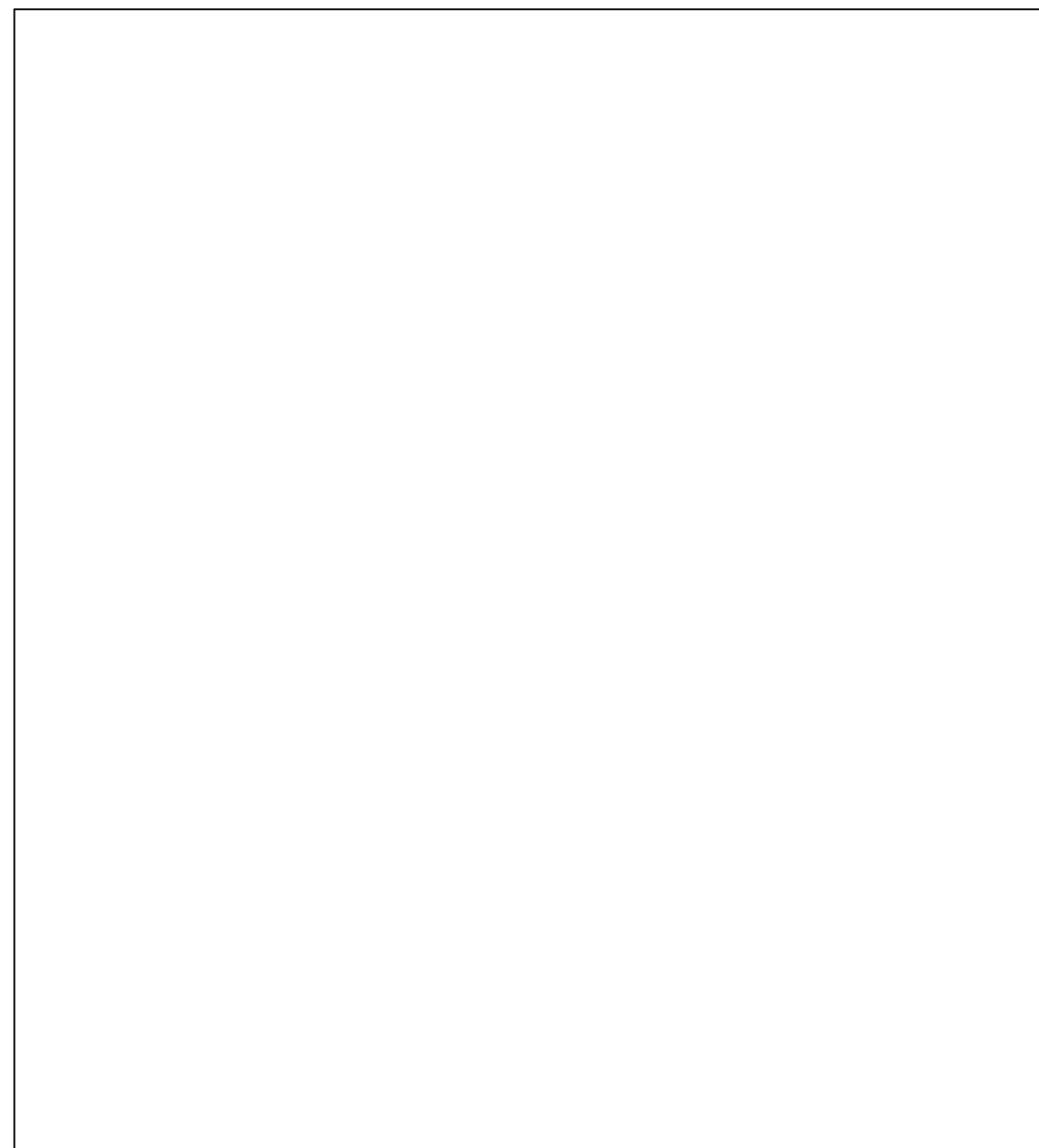
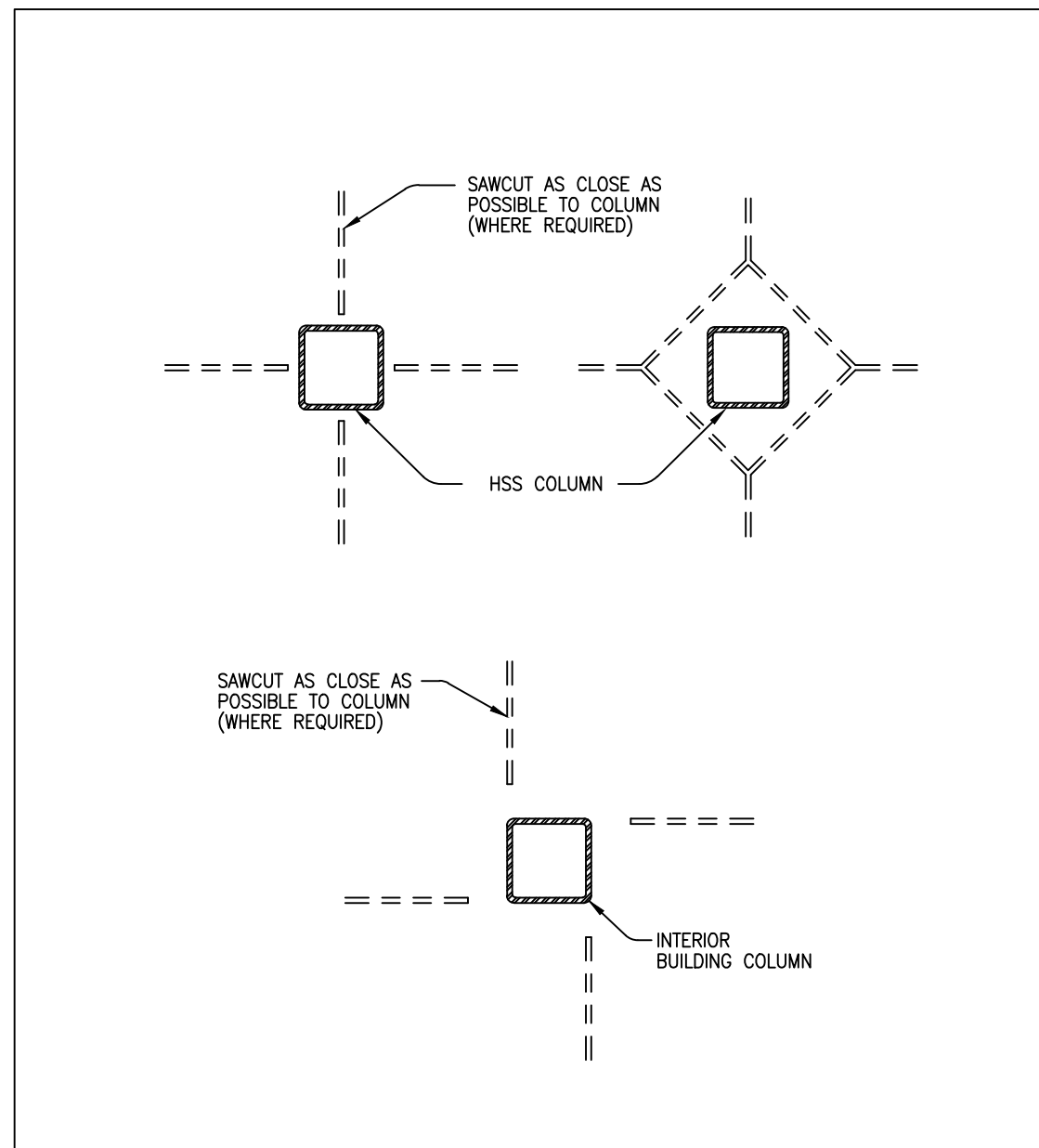


B SLAB DETAILS
S2.0 SCALE 1:10

7 FOUNDATION WALL AT DRIVE-IN DOOR
S2.0 SCALE 1:25

5 SECTION
S2.0 SCALE 1:25

2 SECTION
S2.0 SCALE 1:25



A INTERIOR COLUMN ISOLATION DETAIL
S2.0 SCALE 1:10

4 SECTION AT ENTRANCE (BARRIER FREE ACCESS)
S2.0 SCALE 1:25

1 SECTION
S2.0 SCALE 1:25

REV	DESCRIPTION	DATE	BY
ES	ISSUED FOR BUILDING PERMIT	07.28.15	

THE CONTRACTOR SHALL CHECK AND VERIFY ALL DIMENSIONS AND REPORT ALL ERRORS AND OMISSIONS TO THE ENGINEER. ALL DRAWINGS, SPECIFICATIONS AND RELATED DOCUMENTS ARE THE COPYRIGHT PROPERTY OF DORLAN ENGINEERING CONSULTANTS INC. AND MAY NOT BE REPRODUCED WITHOUT WRITTEN PERMISSION OF DORLAN ENGINEERING CONSULTANTS INC. DRAWINGS SHALL NOT BE SCALED AND THIS DRAWING SHALL NOT BE USED FOR CONSTRUCTION PURPOSES UNLESS ISSUED FOR CONSTRUCTION AND SEALED BY DORLAN ENGINEERING CONSULTANTS INC.



NEW WAREHOUSE AT:
200 INDUSTRIAL PARKWAY SOUTH
AURORA, ONTARIO

DORLAN
ENGINEERING CONSULTANTS INC.
7560 AIRPORT ROAD - UNIT 13
MISSISSAUGA, ONTARIO L4T 4H4 CANADA
Tel (905)671-4377 Fax (905)671-4381

DRAWING CONTENT:
FOUNDATIONS SECTIONS

DATE	JUNE, 2015
DRAWN BY	ES
CHECKED BY	DM
SCALE	1:25 U/N
PROJECT No.	D15067
DRAWING No.	S2.0