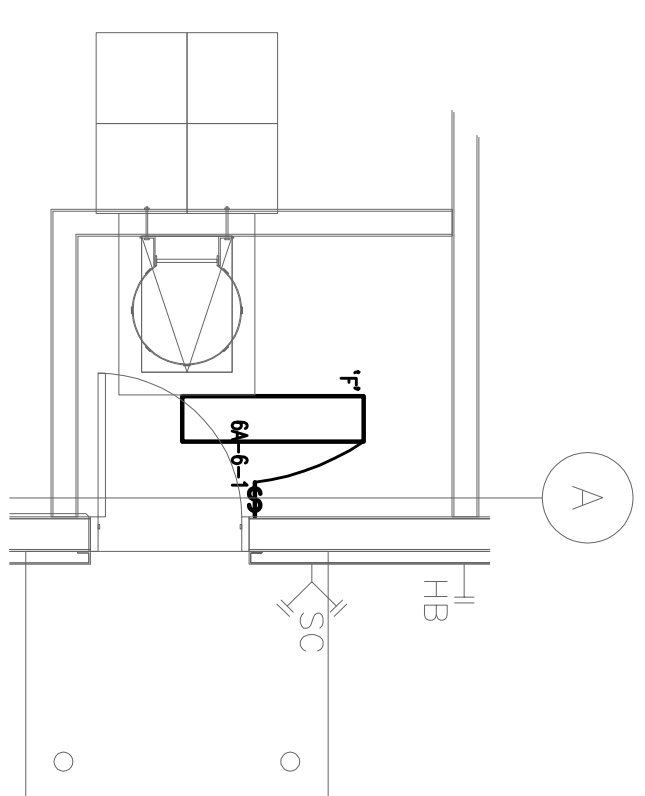
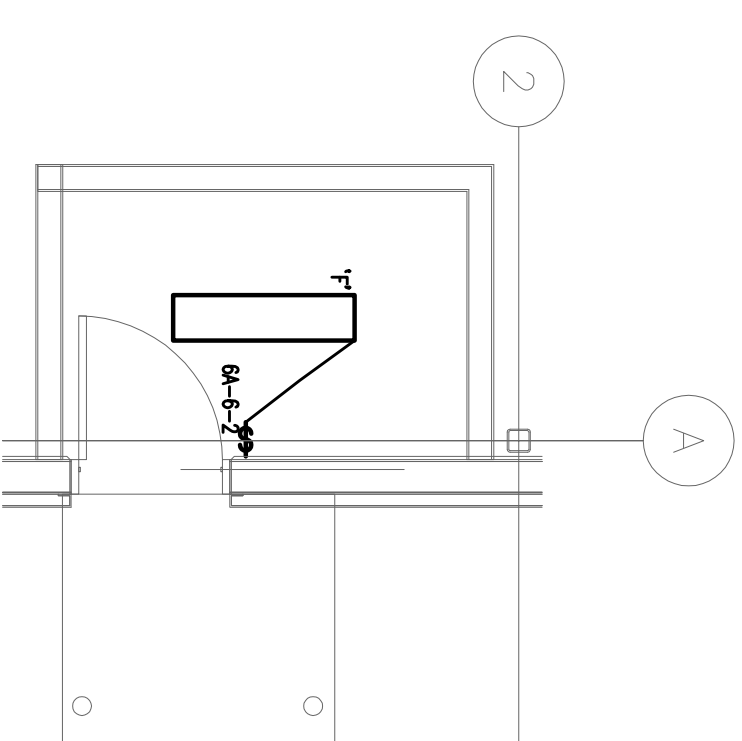


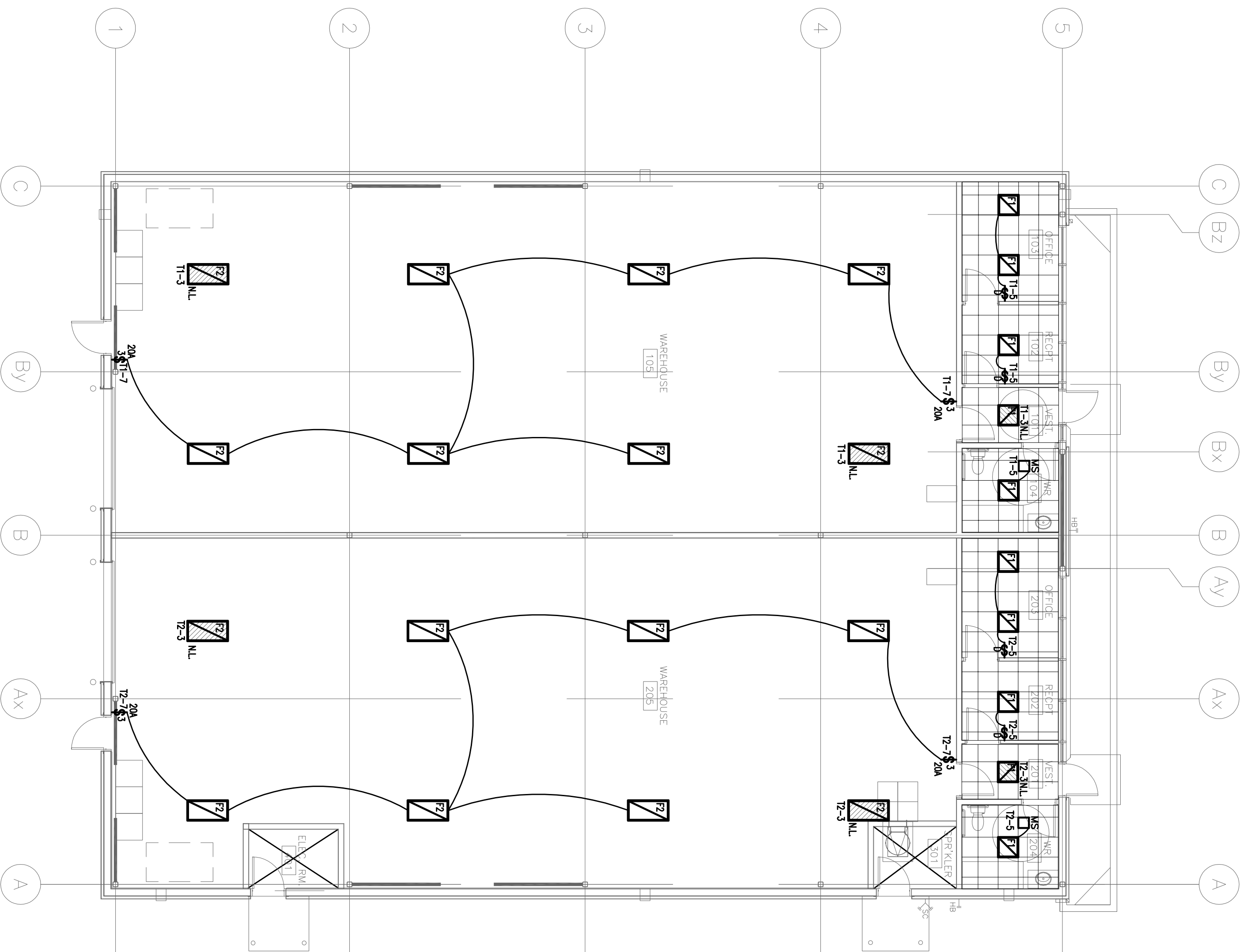
1	ISSUED FOR PERMITS	2015-05-27
2	RESUBMITTED FOR PERMITS	2015-07-15
3	ISSUED FOR PRICING	2015-08-10
NO.	REVISIONS	DATE



SPRINKLER ROOM LAYOUT
SCALE 1:30



ELECTRICAL ROOM LAYOUT
SCALE 1:30



FLOOR PLAN
SCALE 1:100

FIXTURE SCHEDULE:

- F- 4'-0" 2-LAMP FLUORESCENT STRIP C/W 2'-32W T8 LAMPS & WIRE GUARD & ELECTRONIC BALLAST
CFL: CXL: #89248-347Y-S8-58892-46.
- F-1 RECESSED 2 1/2" CONCEALED LENS LED FIXTURE FOR T-BAR CEILING & DIMMING BALLAST
60 LIGHTING TECHNOLOGY INC. CFL: #09331-46-1201.
- F-2 SUSPENDED 2 1/4" HIGH BAY LIGHTING FIXTURE C/W 4-54W T5 HO LAMPS & INSTANT START BALLAST
VISIONERING CFL: #18K-4-48-1750-54-N-1201-4L-1M.

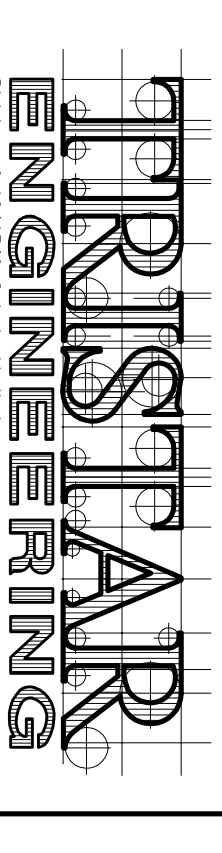
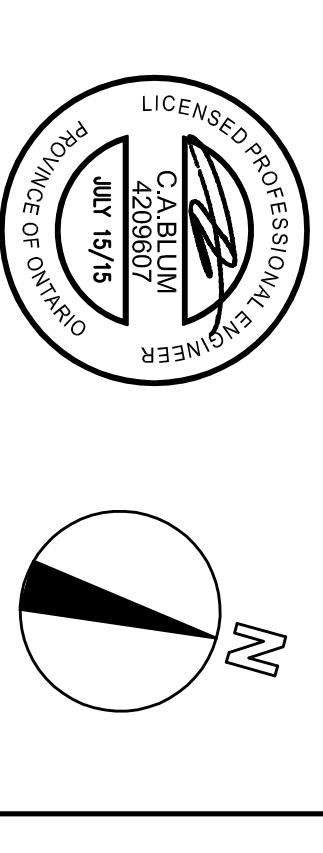
SPECIFICATION

1. SCOPE OF WORK: PROVIDE ALL MATERIALS, EQUIPMENT & LABOUR REQUIRED TO CONSTRUCT COMPLETE A PROPERLY FUNCTIONING ELECTRICAL SYSTEM FROM POINT OF ELECTRICAL SERVICE THROUGH ALL DISTRIBUTION EQUIPMENT, TERMINALS, PANELBOARDS & BRANCH CIRCUITS TO ALL LIGHTING FIXTURES, PERMITS & EQUIPMENT IN ACCORDANCE WITH THESE PLANS AND SPECIFICATIONS.
2. SUBMIT AS BUILT DRAWINGS UPON COMPLETION OF WORK. ELECTRICAL DRAWINGS SHALL DELIVER TO THE OWNER TWO SETS OF AS BUILT DRAWINGS WHICH SHALL INCLUDE ALL REVISIONS AND ALL SHOP DRAWINGS MARKED IN RED.
3. SUBMIT SHOP DRAWINGS PRIOR TO INSTALLING ANY EQUIPMENT. SUBMIT DRAWINGS FOR EACH ITEM OF EQUIPMENT WITHIN 30 DAYS OF SHOP DRAWING SUBMISSION. ALL SHOP DRAWINGS SHALL BE SUBMITTED WITHOUT WRITTEN APPROVAL OF THE ARCHITECT WILL NOT BE ACCEPTED.
4. ELECTRICAL PANELS & SWITCHES SHALL BE SIZED AS INDICATED ON DRAWINGS WITH THE WRITTEN DIRECTORIES AND BE OF ONE COMMON MANUFACTURER. PANELS ETC., TO BE IDENTIFIED WITH LAMICOID LABELS.
5. WIRING DEVICES (SPECIFICATION GRADE) SHALL BE AS INDICATED ON DRAWINGS.
6. OUTLET BOXES SHALL BE 4" OCTAGONAL OR 4" SQUARE. EXTRA LARGE OUTLET BOXES SHALL BE 6" SQUARE. ALL OUTLET BOXES SHALL BE OF SIZES SPECIFIED WHERE NECESSARY IN ORDER TO PREVENT UNDUE BOWING OF WIRE. USE CASE NON FERROUS ALLOY OR ALUMINUM EXTRUSION WITH ASSIGNED REPAIRS. ALL BOXES SHALL BE FINISHED WITH STANDARD 1104 ALL BOXES TO HAVE METAL COVERPLATES EXCEPT FINISHED AREAS WHICH SHALL BE PLASTIC - WHITE FINISH.
7. WIRE & CABLE: ALL CONDUCTORS SHALL BE COPPER UNLESS OTHERWISE DESIGNATED. STRANDED FOR #8 AWG & LARGER. MINIMUM SIZE WIRE SHALL BE #12 AWG FOR LIGHTING AND POWER. INSULATION SHALL BE THIN WALL TYPE. ALL WIRING SHALL BE INSTALLED IN 10 AWG OR LARGER TO THE FIRST OUTLET. ALL CONNECTIONS TO MOTORS AND EQUIPMENT FROM DISCONNECT SWITCHES SHALL BE COPPER REGARDLESS OF WIRE SIZE.
8. GROUNDING: ALL GROUNDING SHALL BE INCLUDING TO SUIT THE REQUIREMENTS OF THE ONTARIO SAFETY CODE.
9. CONDUIT: ALL WIRING SHALL BE CONTAINED IN METALLIC RIGIDPVC CONDUIT. USING HOT DIPPED GALVANIZED RIGID STEEL CONDUIT OR ELECTRIC METALLIC TUBING (EMT). USE RIGID STEEL CONDUIT WHERE RUNS ARE EXPOSED TO THE WEATHER. STUBBED UP THROUGH FLOOR UNDER OR IN WALLS. ALL CONDUIT SHALL BE IDENTIFIED BY MARKING OR BE PVC SEPTER. STUB UPS SHALL BE RIGID STEEL FLEXIBLE METALLIC CONDUIT SHALL BE USED FOR ALL CONNECTIONS TO MOTORS AND EQUIPMENT. ALL CONDUIT SHALL BE IDENTIFIED BY MARKING AND USING NEOPRENE JACKETED TYPE (SEALED) FOR ALL OUTLET AND MOISTURE RELATED CONDITIONS. ALL CONDUIT TO BE CONCEALED EXCEPT AS NOTED. BX CABLE MAY BE USED FOR FUTURE DRIPS AND IN PARTITIONS ONLY.
10. MOTOR STARTERS: INSTALL AND CONNECT COMPLETE ALL MOTOR STARTERS AND ALL MOTOR CONTROLS. ALL MOTOR CONTROLS SHALL BE INSTALLED IN THE FACTORY PREMISED. GENERALLY STARTERS WILL BE FINISHED BY OTHERS AND NOT BY THE CONTRACTOR. PROVIDE ALL NECESSARY DISCONNECT SWITCHES AS NOTED ON DRAWINGS OR AS REQUIRED BY OTHER CODE.
11. LIGHTING FIXTURES & LAMPS: SUPPLY & INSTALL, ADJUST & CLEAN UP ALL LIGHTING FIXTURES & LAMPS AS DESCRIBED IN FIXTURE SCHEDULE. PROVIDE ALL AUXILIARY SUPPORTS AS REQUIRED. FIXTURES SHALL BE SUPPLIED BY THIS CONTRACTOR. ALL LIGHTING FIXTURES SHALL BE SUPPLIED BY THIS CONTRACTOR.
12. TELEPHONE SYSTEMS: EMPTY CONDUIT EMT CONDUIT AS SHOWN ON DRAWINGS. PROVIDE ALL TELEPHONE SYSTEMS SHALL BE INSTALLED IN ACCORDANCE TO BELL CANADA REQUIREMENTS.
13. CODES, PERMITS & GUARANTEES: ALL WORK SHALL COMPLY WITH ALL APPLICABLE CODES AND STANDARDS. ALL PERMITS SHALL BE OBTAINED FOR A PERIOD OF ONE YEAR AFTER COMPLETION.
14. RIGID STEEL CONDUIT: PROVIDE A COMPLETE SET OF RIGID STEEL CONDUIT ON DRAWINGS IN ALL FISSIBLE DEVICES SUPPLIED BY THIS TRADE THROUGHOUT THE JOB:
 - A. RIGID GREATER THAN 800A SHALL BE HRC FORM 1 CLASS 1" BUSSMAN TYPE KRP-C H-CAP TIME DELAY FUSES.
 - B. FUSES 800A OR LESS FOR NON-HURSH CIRCUITS SHALL BE HRC TYPE.
 - C. ALL OTHER FUSES FOR SEPARATE DISCONNECTS OR PANELS SHALL BE HRC FORM 1 CLASS "V" BUSSMAN TYPE FRN-A (250V) OR FRN-A (60V) FUSETRON DUAL ELEMENT.
 - D. FUSES FOR MOTOR LOADS SHALL BE TIME DELAY TYPE.
 NOTE: ALL FUSES SHALL BE BUSSMAN OR APPROVED EQUAL.
15. ELECTRICAL HEATERS, SUPPLY & INSTALL ALL ELECTRICAL HEATERS AS INDICATED ON DRAWINGS C/W BUILT-IN THERMOSTAT OR WALL MOUNTED THERMOSTATS AS NOTED. ALL HEATERS SHALL BE AS DESCRIBED IN FIXTURE SCHEDULE. ALL HEATERS SHALL BE AS DESCRIBED IN HEATER SCHEDULE FOR TYPES, RATINGS, LENGTHS, ETC.
16. ELECTRICAL SEPARATORS IN FIRE SEPARATIONS AND FIRE RATED PARTITIONS SHALL BE INSTALLED IN ACCORDANCE WITH THE ONTARIO BUILDING CODE. ALL OPENINGS WITHIN FIRE WALLS AND SLAB SEPARATION SHALL BE SEALED WITH FIRESTOP MATERIAL.
17. ALL ELECTRICAL EQUIPMENT TO BE CUTLER-HAMMER OR APPROVED EQUAL.

Owner
JOC-RI INVESTMENTS LIMITED

Project Title
NEW WAREHOUSE

200 INDUSTRIAL PARKWAY SOUTH AURORA



Approved	Checked	Drawn By
J.P.	J.P.	K.B.
Scale	Date	File No.
1:100	FEB 2015	2015-015
Drawing Number	Revision Number	
E-2		