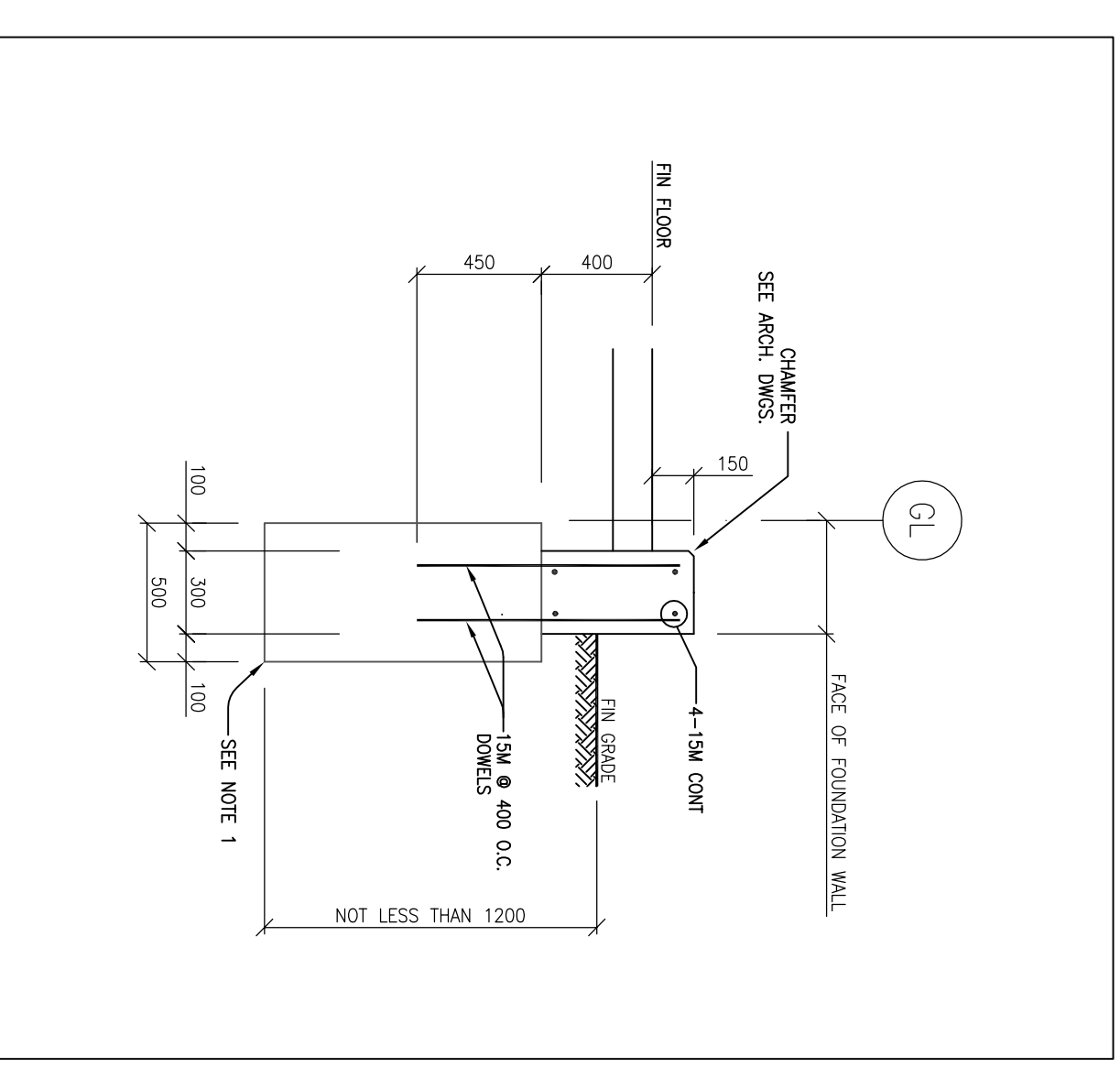
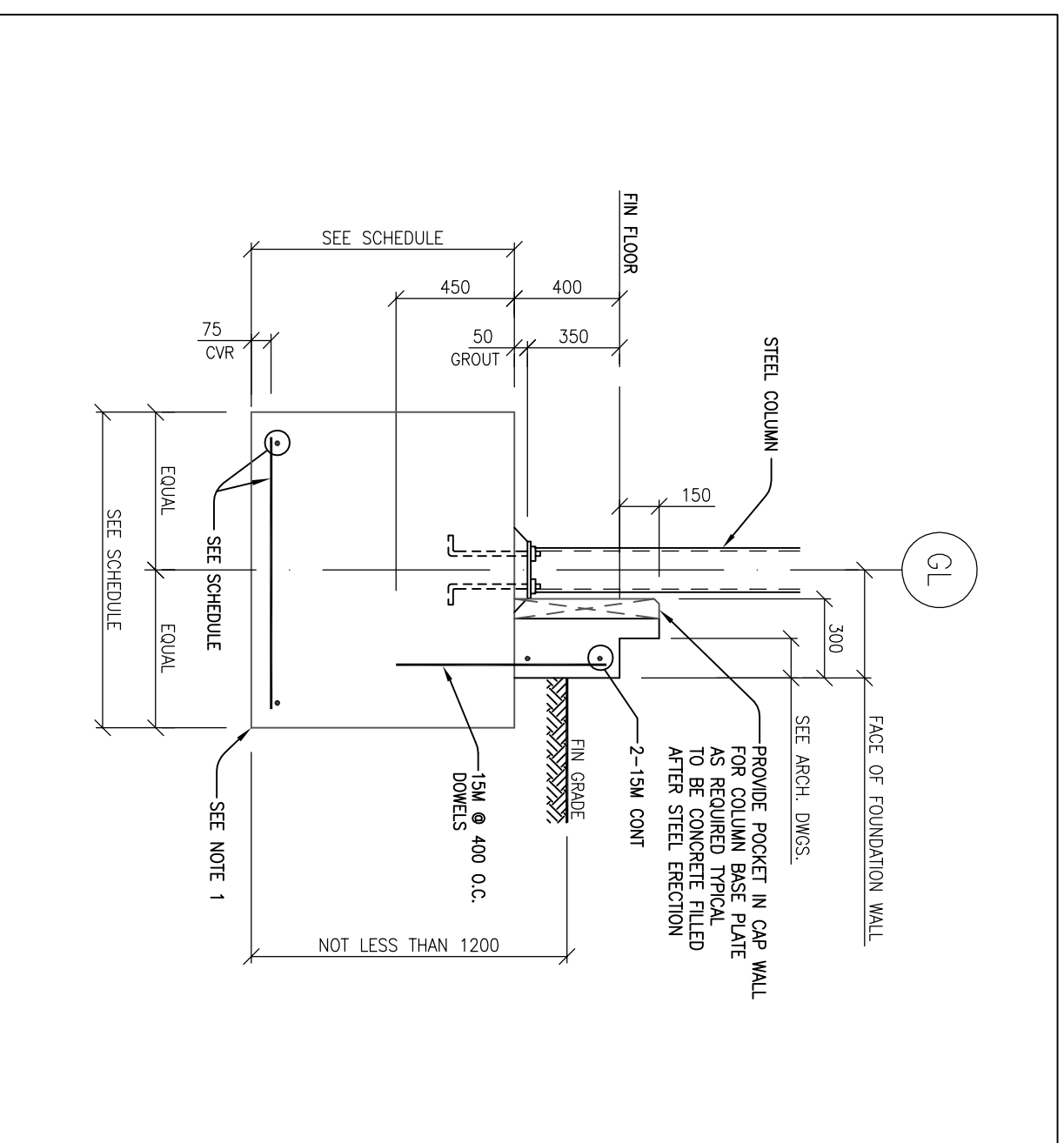
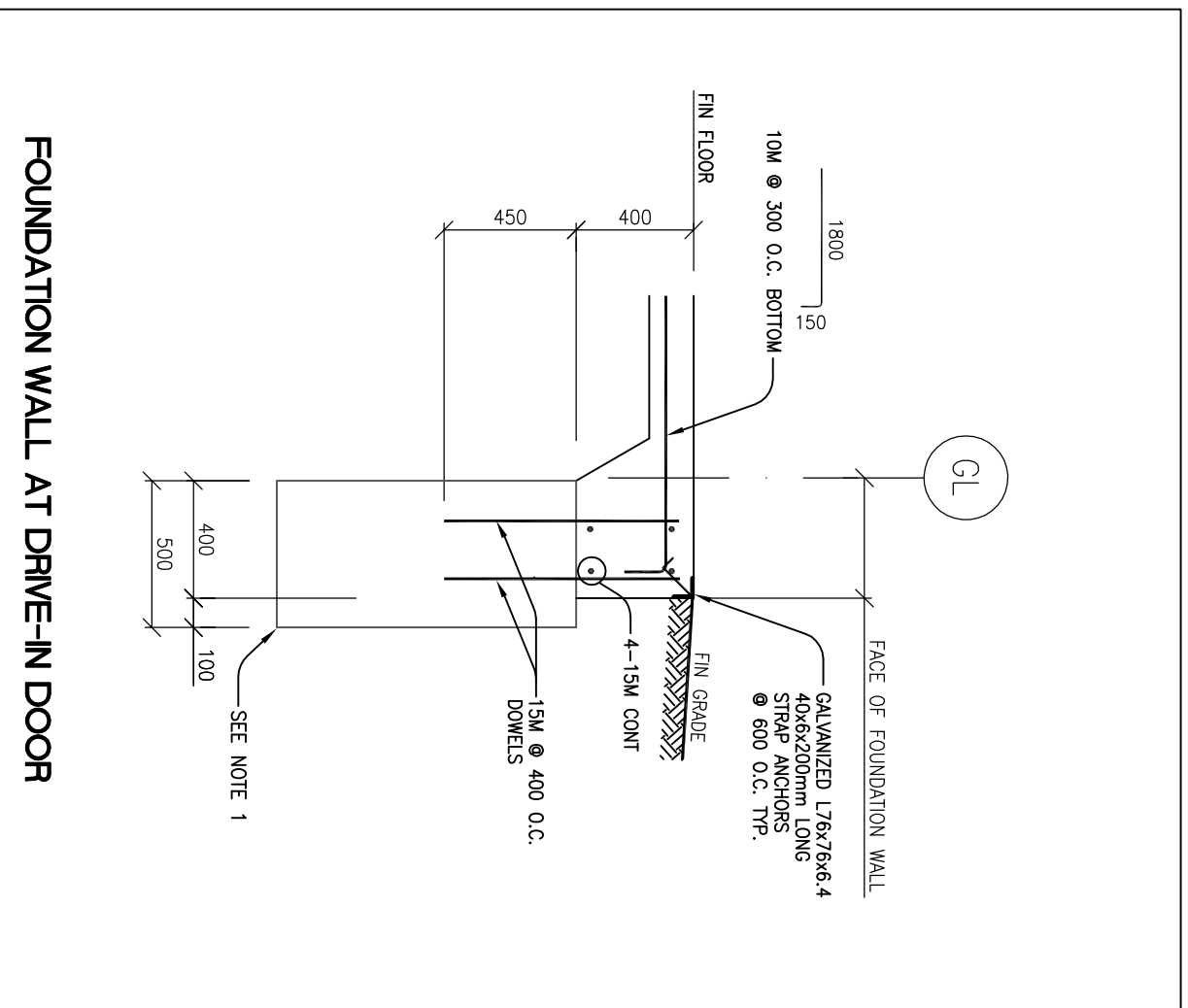
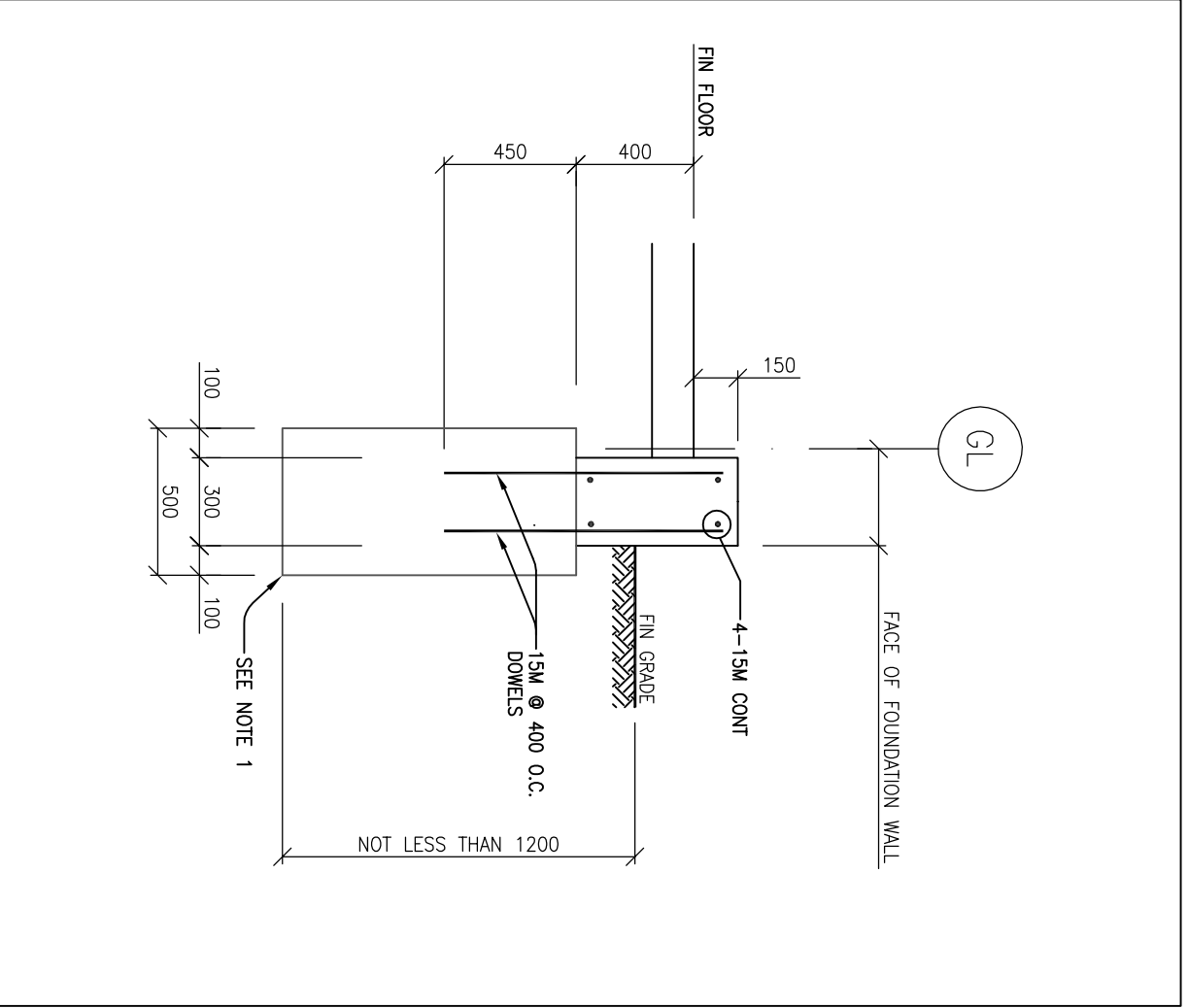
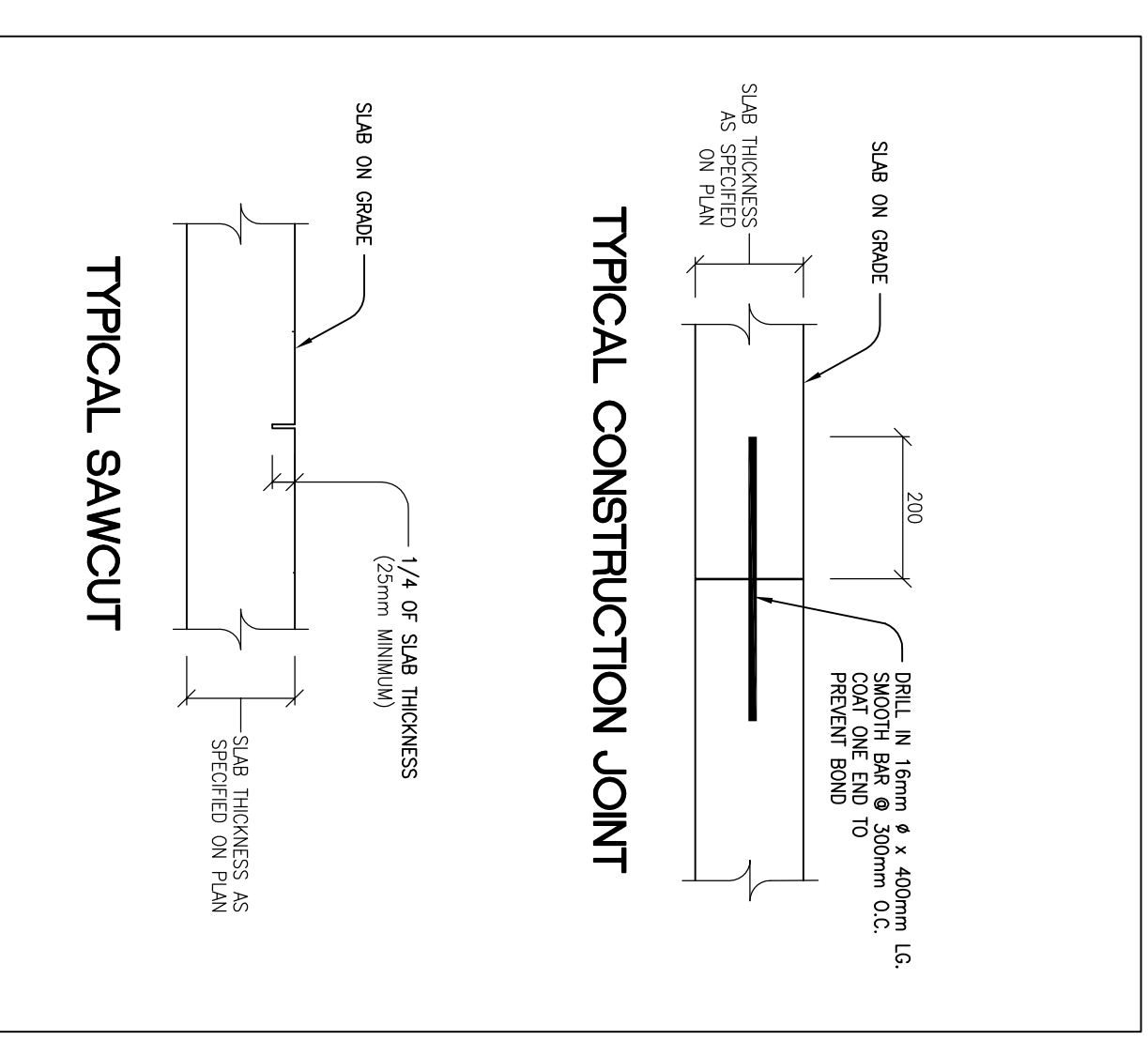


9 SECTION
SCALE 1:25

6 SECTION
SCALE 1:25

3 SECTION
SCALE 1:25



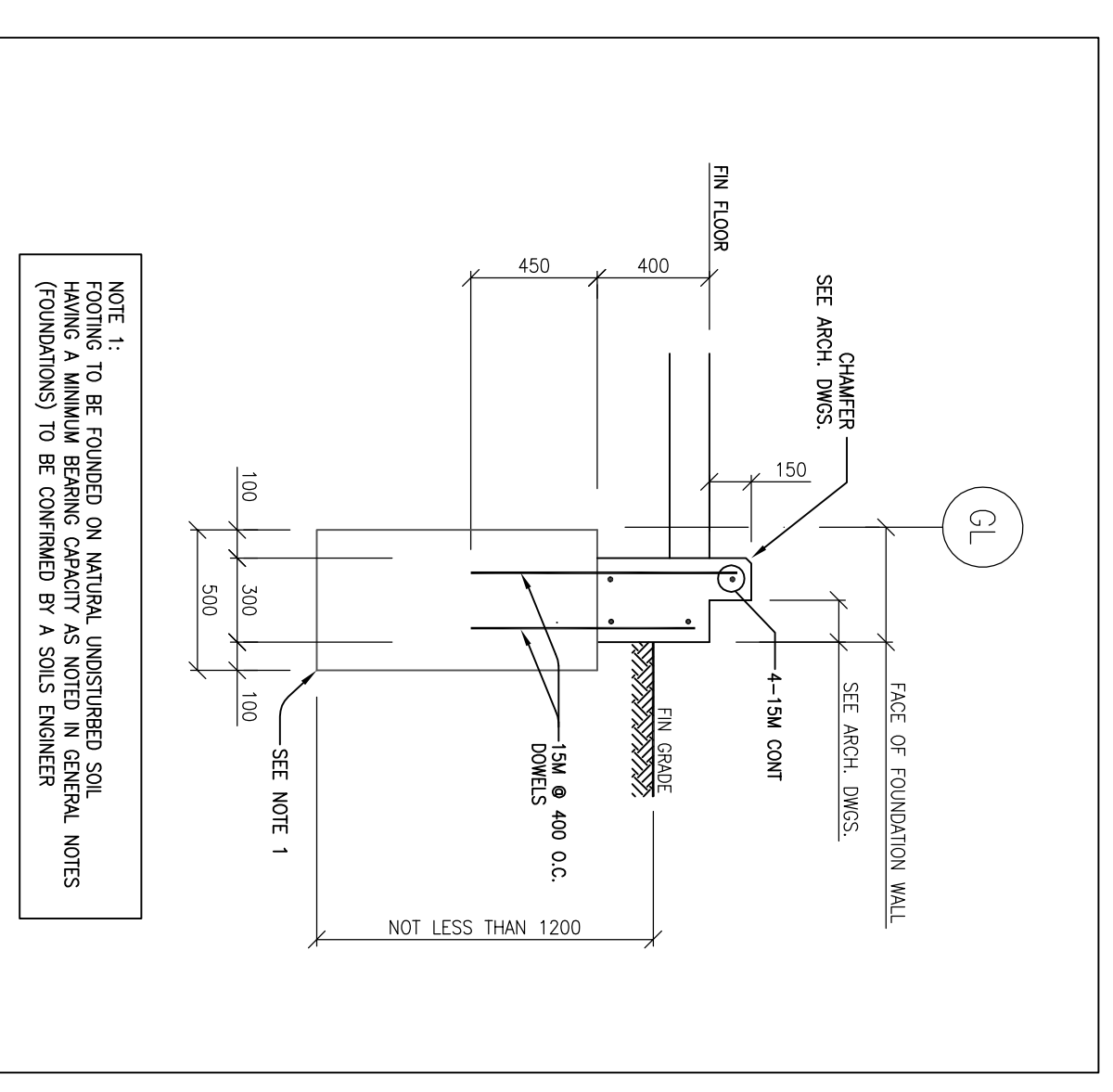
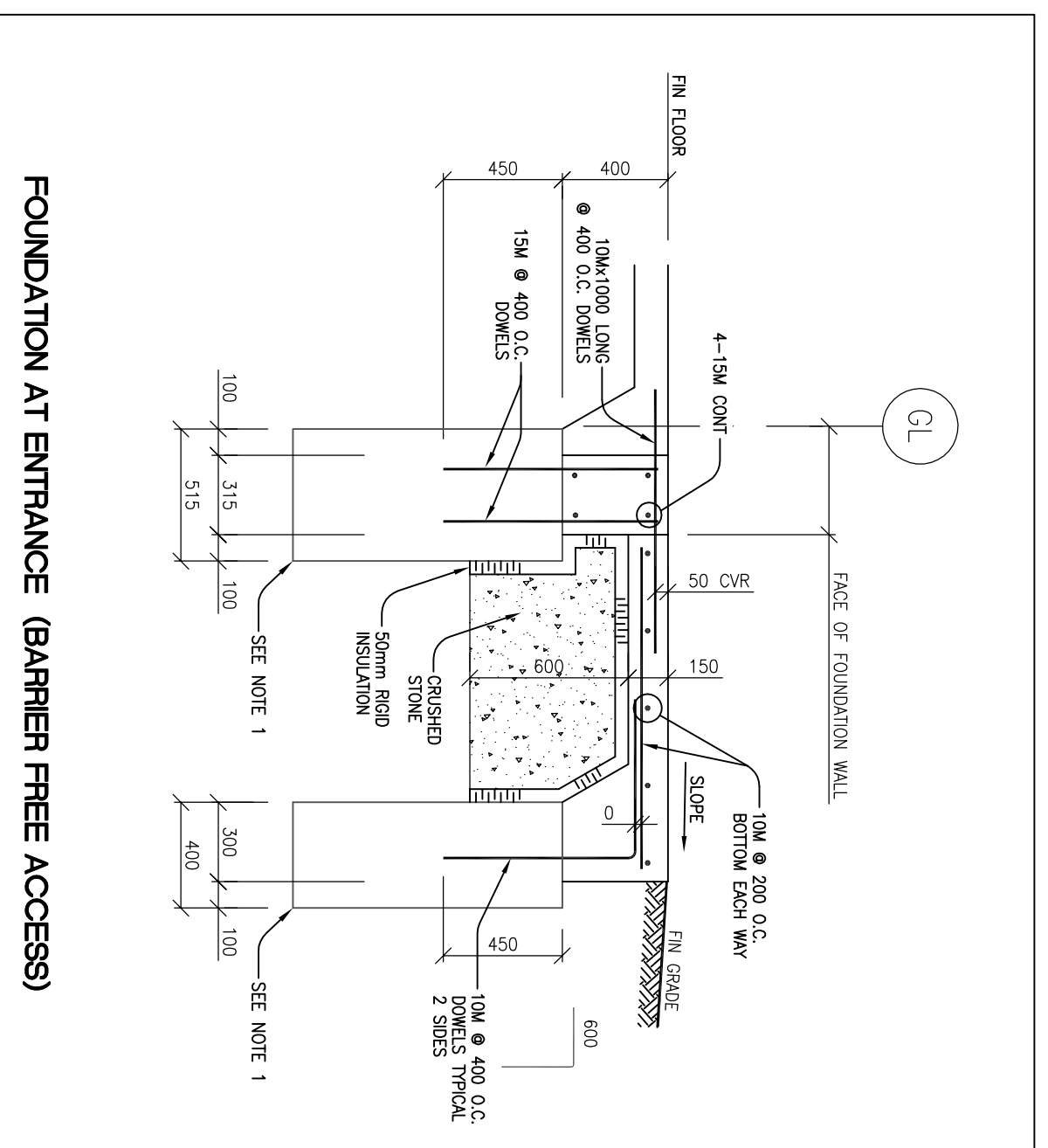
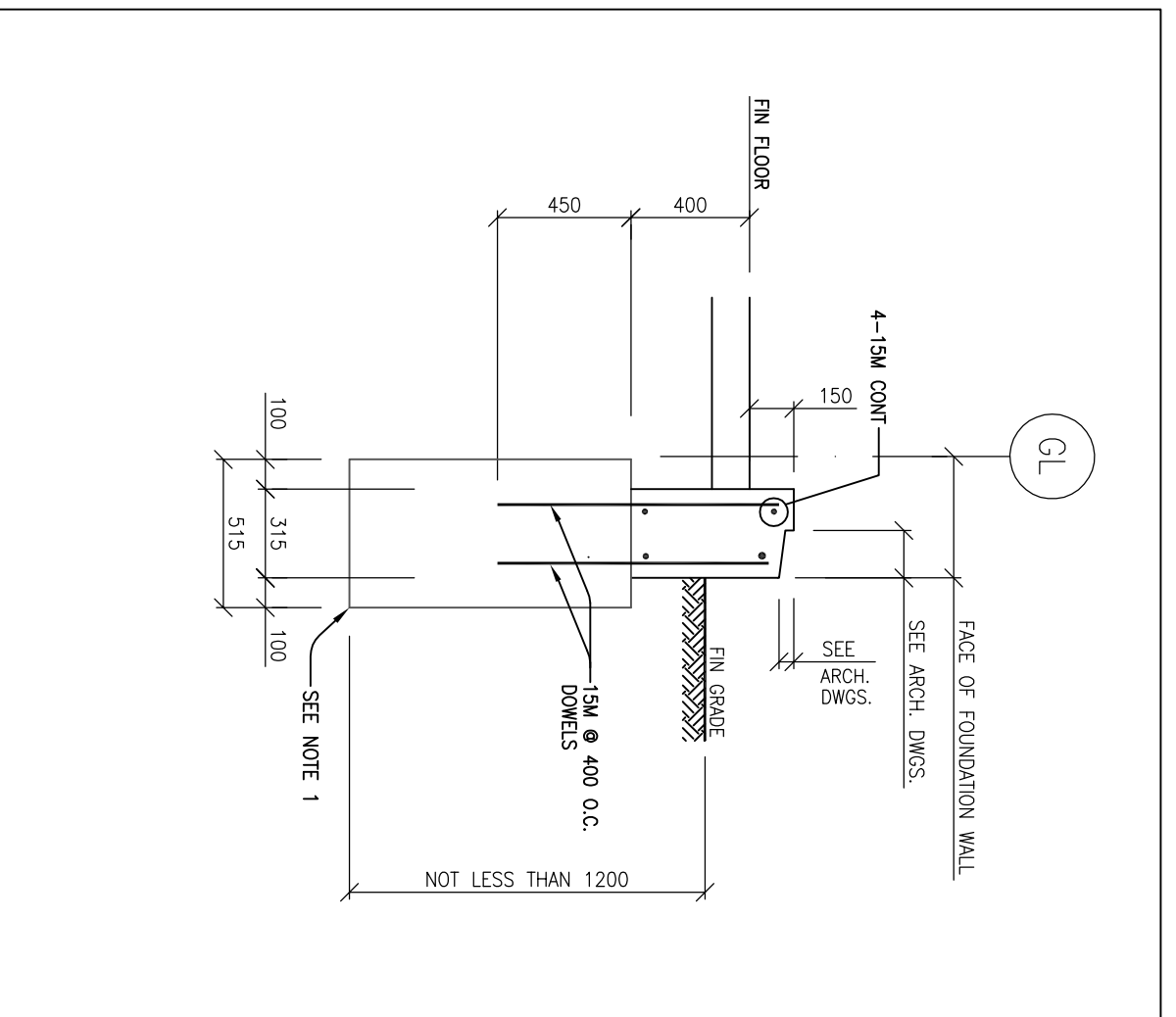
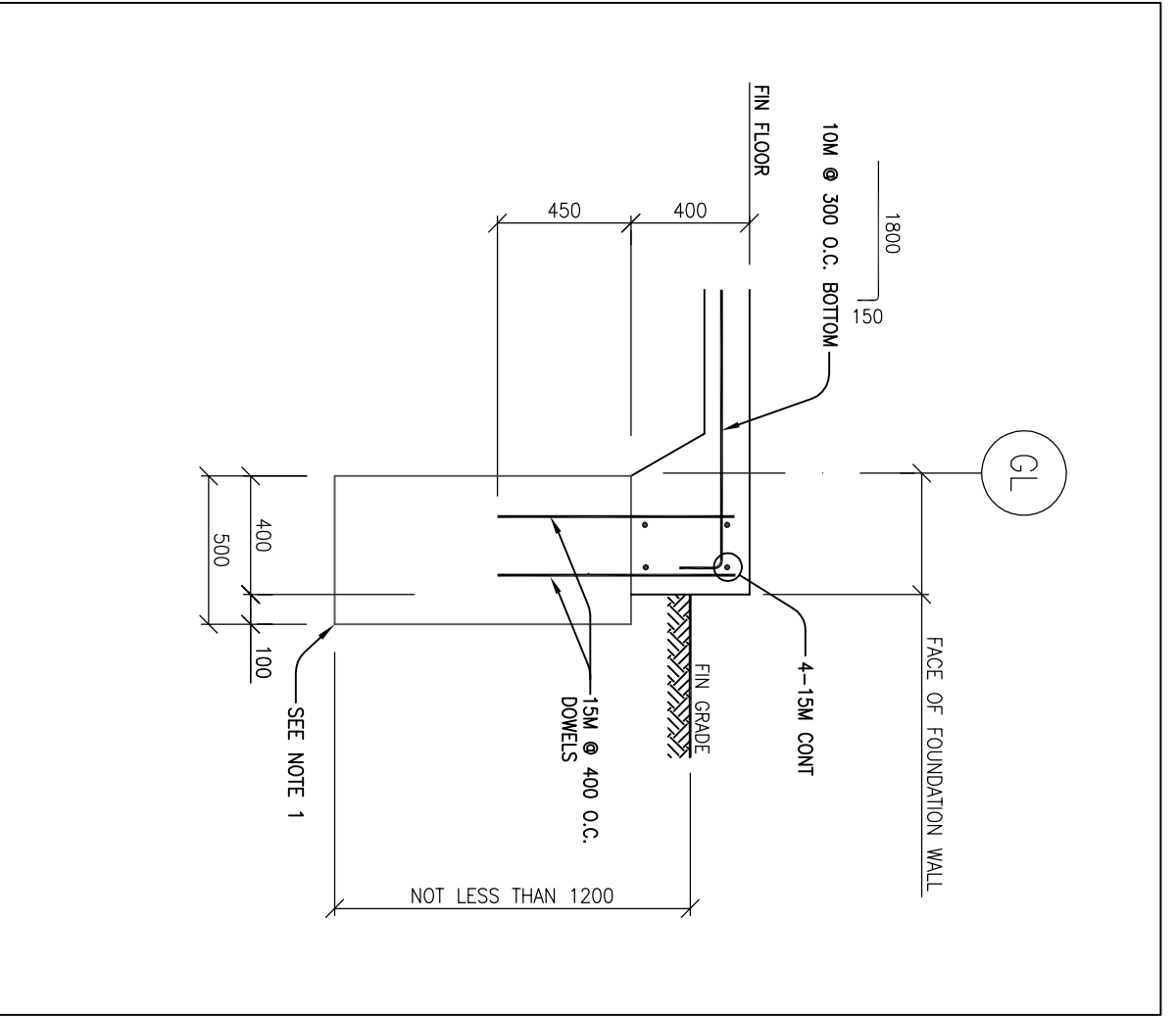
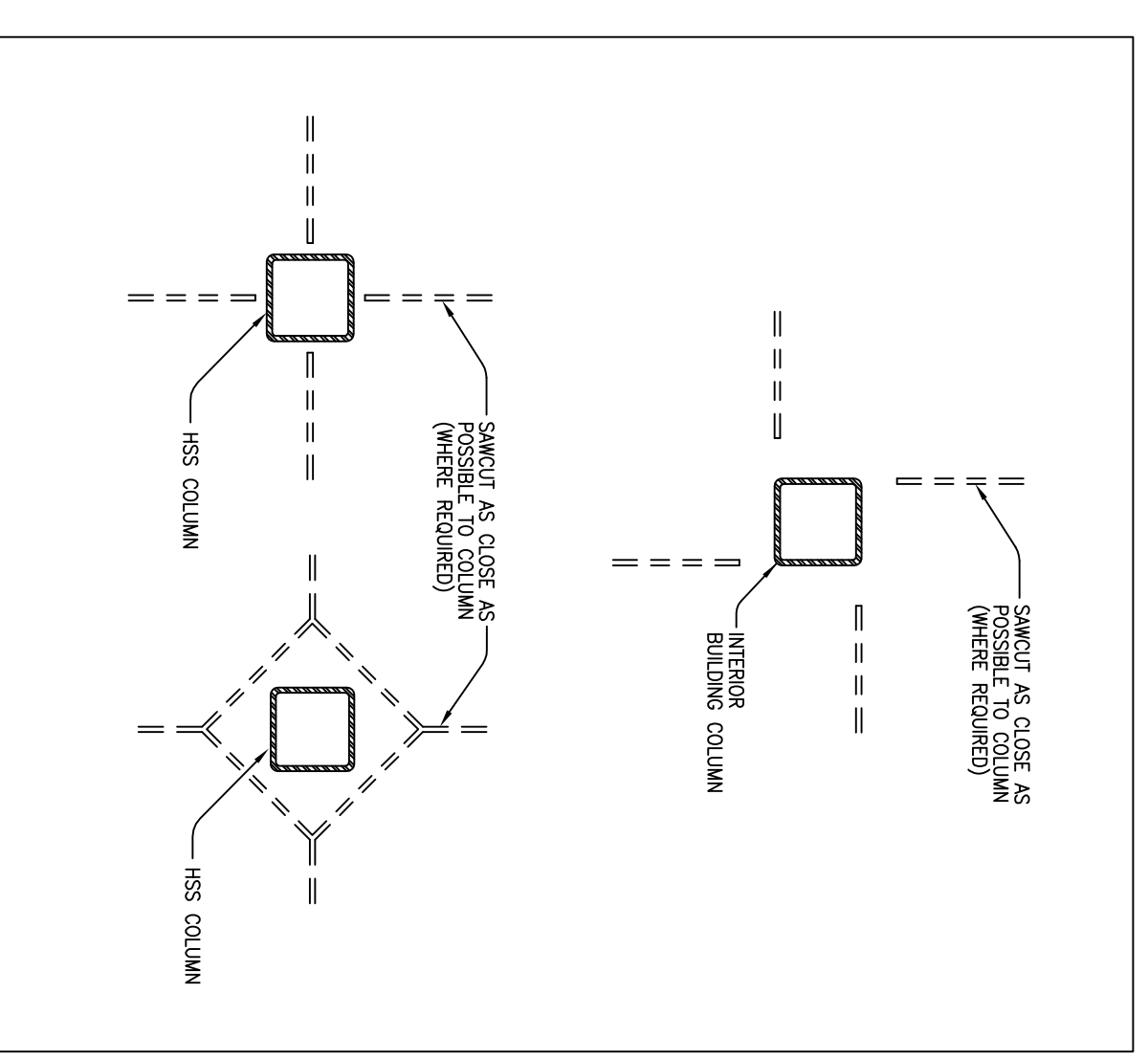
8 SLAB DETAILS
SCALE 1:10

11 SECTION
SCALE 1:25

8 SECTION
SCALE 1:25

5 SECTION
SCALE 1:25

2 SECTION
SCALE 1:25



4 INTERIOR COLUMN ISOLATION DETAIL
SCALE 1:10

10 SECTION
SCALE 1:25

7 SECTION
SCALE 1:25

4 SECTION
SCALE 1:25

1 SECTION
SCALE 1:25

REV	DESCRIPTION	DATE	BY
	ISSUED FOR TENDER	05.05.16	KR
	ISSUED FOR BUILDING PERMIT	03.03.16	KR
	ISSUED FOR COORDINATION	02.10.16	KR
	ISSUED FOR COORDINATION	12.24.15	KR

THE CONTRACTOR SHALL CHECK AND VERIFY ALL DIMENSIONS AND CONDITIONS OF THE WORK AND RELATED DOCUMENTS ARE THE CONTRACTOR'S RESPONSIBILITY AND SHALL BE RESPONSIBLE FOR ANY DISCREPANCIES OR OMISSIONS. THE CONTRACTOR SHALL BE RESPONSIBLE FOR ANY DISCREPANCIES OR OMISSIONS. THE CONTRACTOR SHALL BE RESPONSIBLE FOR ANY DISCREPANCIES OR OMISSIONS.

NEW WAREHOUSE & OFFICE AT:
1340 HEINE COURT
BURLINGTON, ONTARIO

DORLAN
ENGINEERING CONSULTANTS INC.
2750 AIRPORT ROAD - UNIT 13 CANADA
MISSISSAUGA, ONT. L4V 4H4
Tel: (905) 871-4377 Fax: (905) 871-4381

DATE: NOVEMBER, 2015
DRAWN BY: KR
CHECKED BY: RM
SCALE: 1:25 U/N
PROJECT No: 015098
DRAWING No: **S2.0**