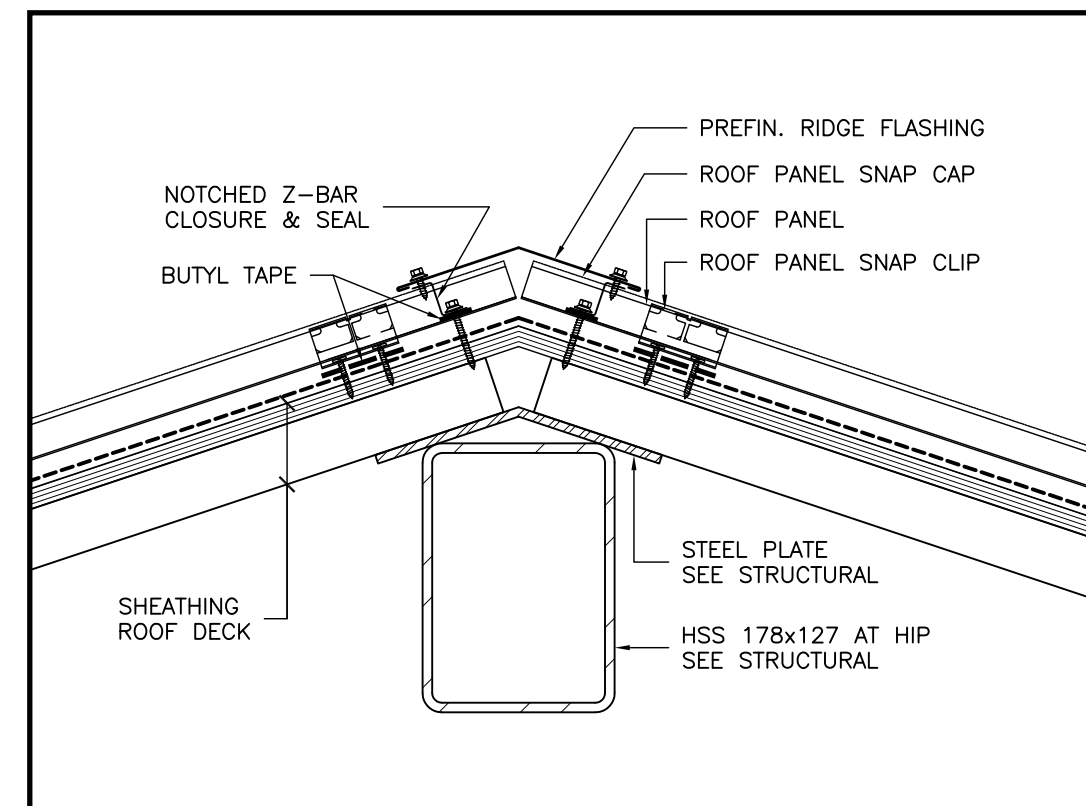
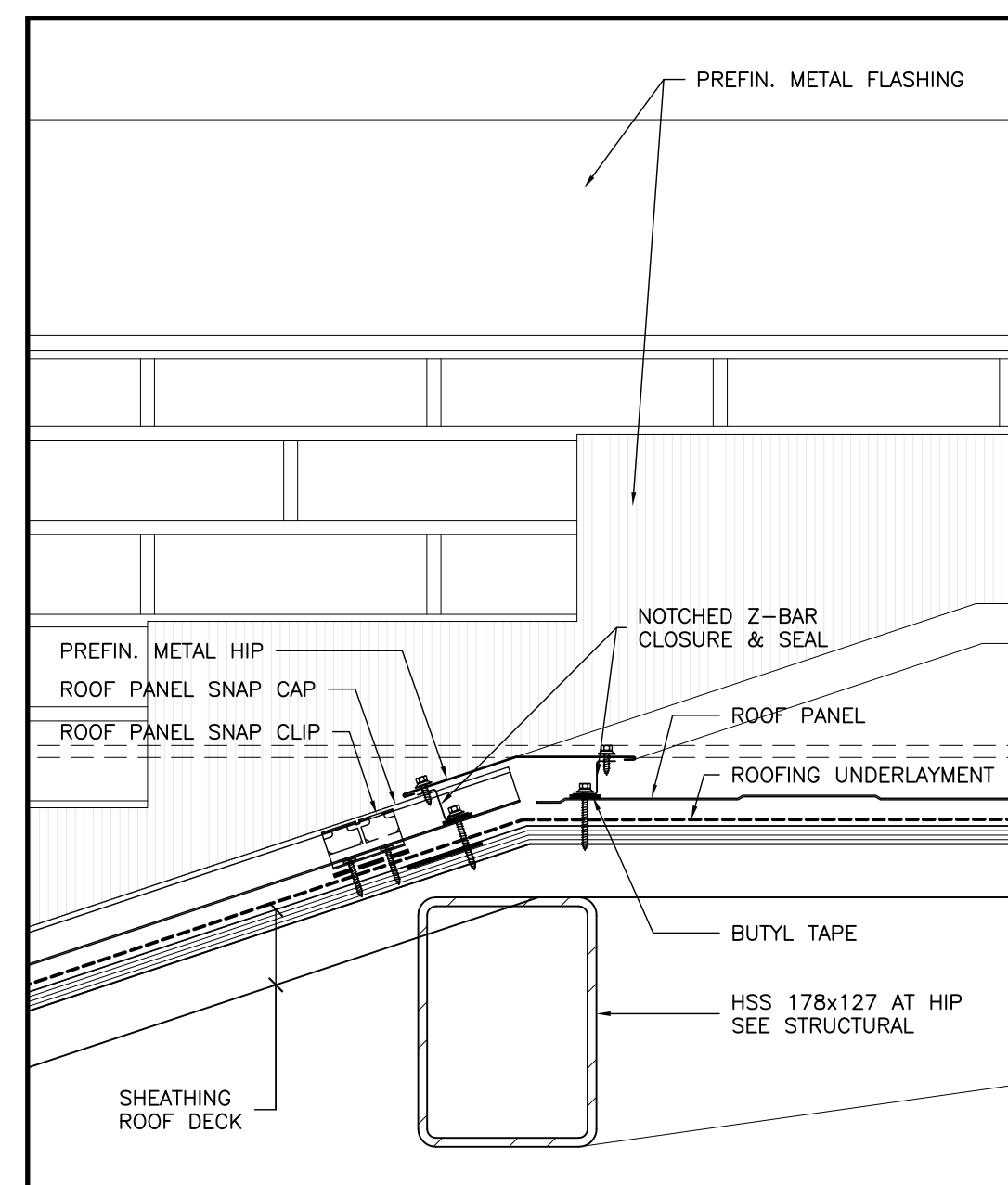


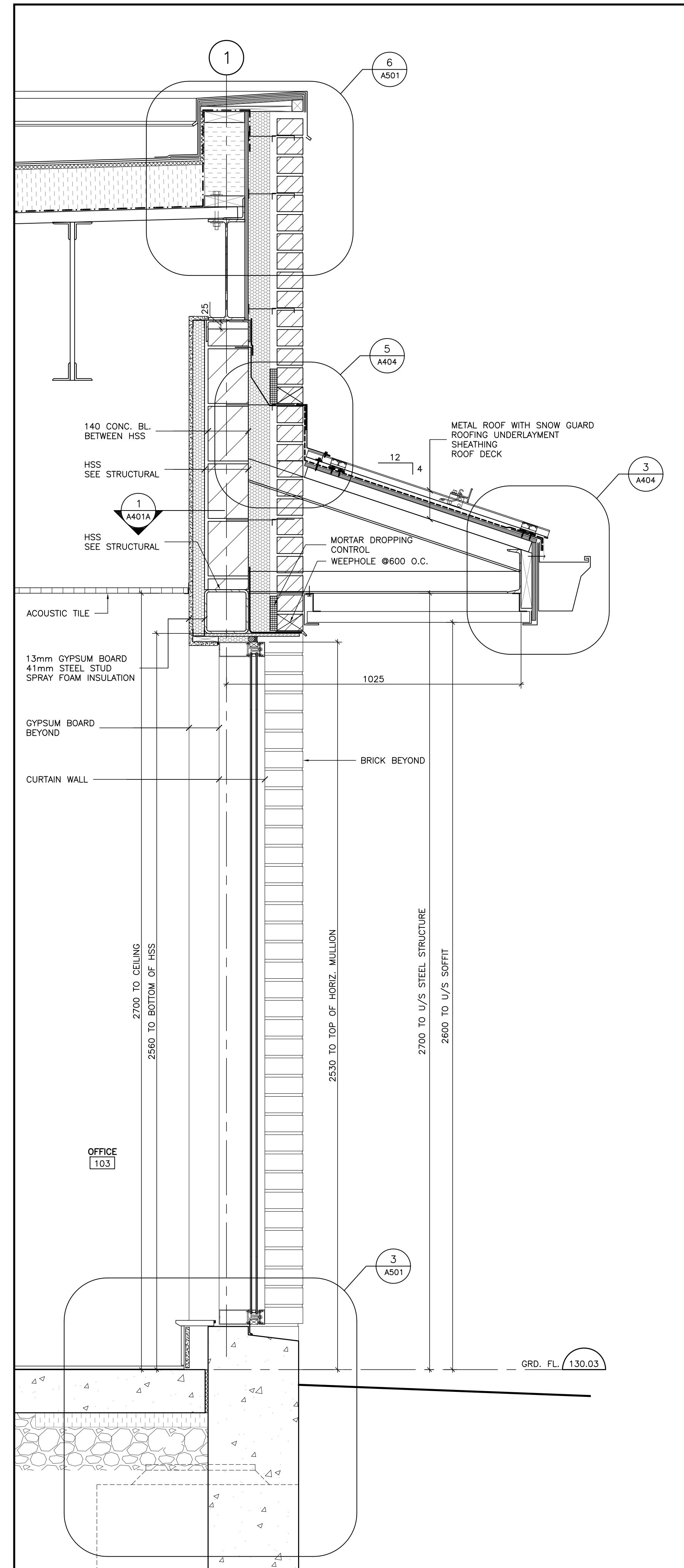
5 SLOPED ROOF VALLEY DETAIL
1:5



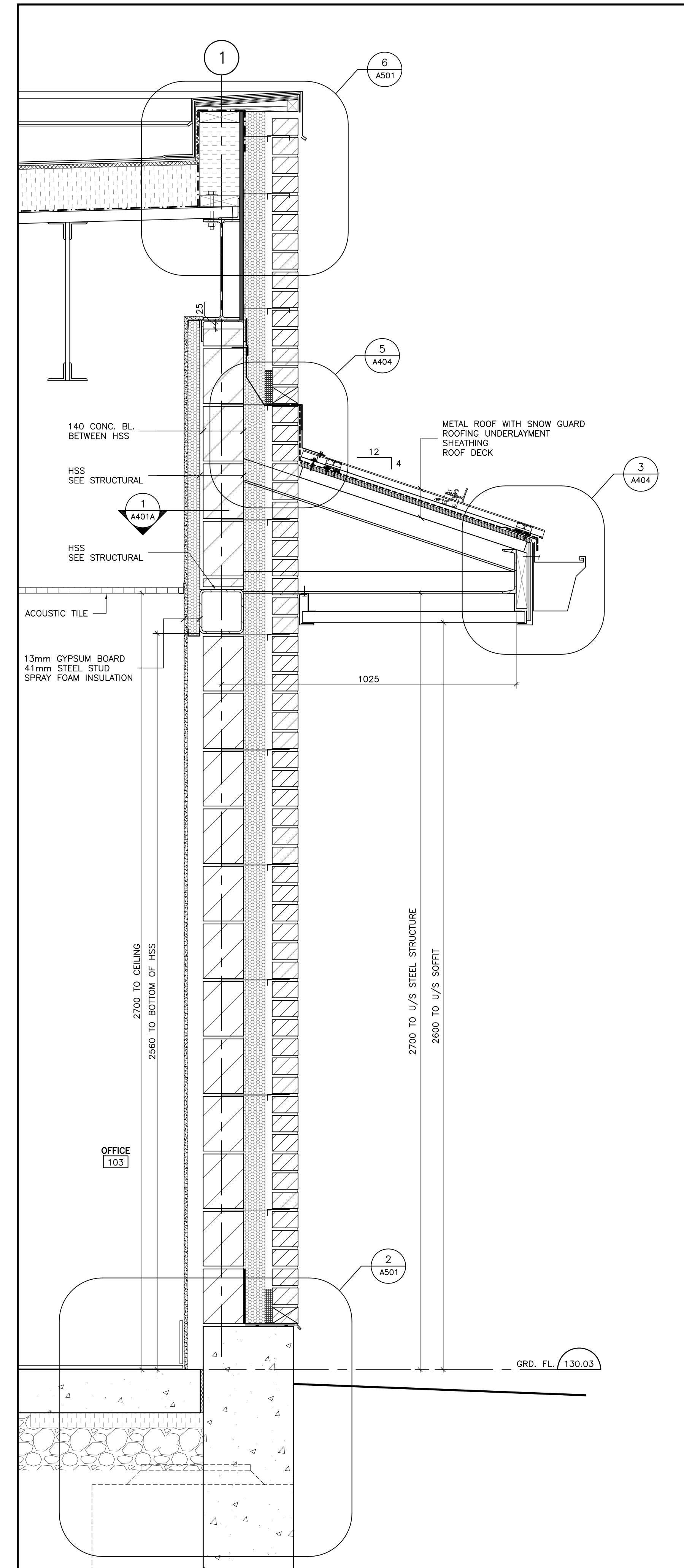
4 SLOPED ROOF RIDGE DETAIL
1:5



3 SLOPED ROOF AT HIP DETAIL
1:5



2 SECTION-CANOPY AT OFFICE 103
1:10



1 SECTION-CANOPY AT OFFICE 103
1:10

The contractor shall check all dimensions and other data from the job and report any discrepancies to the architects before proceeding. Do not scale drawing.

1	ISSUED FOR BUILDING PERMIT	2016-03-02
2	ISSUED FOR TENDER	2016-05-05
3	ISSUED FOR CONSTRUCTION	2016-06-22

NO.	REVISIONS	DATE

Owner
S. ACTON HOLDINGS LTD.
905 338 9253

Drawing Title
CANOPY DETAILS

Project Title
NEW WAREHOUSE

1340 HEINE COURT BURLINGTON



Donald J. Caunter
Architect Limited

40 St. Clair Ave. East, Suite 302, Toronto, ON M4T 1M9 (416) 922-2040

Approved	Checked	DC	Drawn By	WT	
Scale	AS NOTED	Date	2015-03-16	File No.	116903
Drawing Number				Revision Number	

A-405